



Street Light Manual

Revised February 16, 2023

Table of Contents

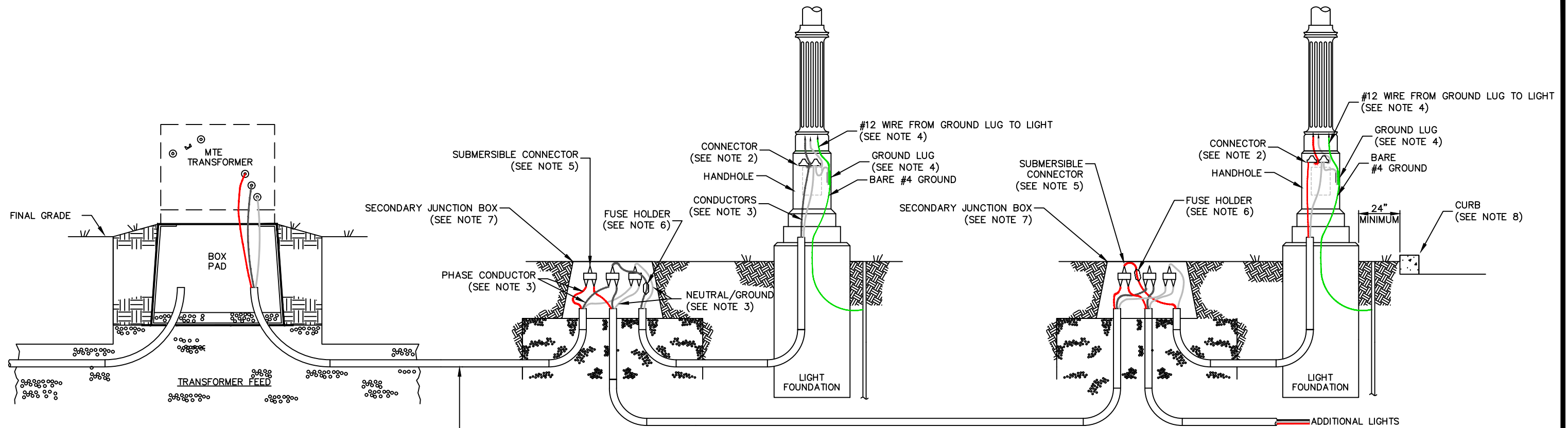
General Requirements	1
Streetlight Construction Drawing SLC-1	3
25 Watt Town and Country Post light on 10' Pole	4
50 Watt Arlington Post Light on 12' Fluted Pole	5
50 Watt Arlington Double Post Light on 12' Fluted Pole	6
50 Watt Ribbed and Banded Post Light on 12' Fluted Pole	7
50 Watt Ribbed and Banded Granville Double Post Light on 12' Fluted Pole	8
50 Watt Granville Post Light on 12' Fluted Pole	9
50 Watt Granville Double Post Light on 12' Fluted Pole	10
50 Watt Granville Post Light with Black Finial and 12' Fluted Pole	11
50 Watt Arlington Post Light on 16' Smooth Pole	12
50 Watt Arlington Post Light on 16' Fluted Pole	13
50 Watt Ribbed and Banded Granville Post Light on 16' Smooth Pole	14
50 Watt Ribbed and Banded Granville Post Light on 16' Fluted Pole	15
50 Watt Granville Post Light on 16' Smooth Pole	16
50 Watt Granville Post Light on 16' Fluted Pole	17
50 Watt Town and Country Post Light on 18' pole with Clear Finish	18
50 Watt Town and Country Post Light on 18' pole with Black Finish	19
50 Watt Shoebox Light on 30' Square Pole	20
150 Watt Shoebox Light on 30' Square Pole	21
150 Watt Double Shoebox Light on 30' Square Pole	22
150 Watt Shoebox Light on 35' Square Pole	23
150 Watt Double Shoebox Light on 35' Square Pole	24
175 Watt Shoebox Light on 35' Square Pole	25
175 Watt Double Shoebox Light on 35' Square Pole	26
225 Watt Shoebox Light on 35' Square Pole	27
225 Watt Double Shoebox Light on 35' Square Pole	28
50 Watt Cobrahead on 25' Pole and 6' Mast Arm. Mounting Hgt 25'.	29
120 Watt Cobrahead on 25' pole and 6' Mast Arm. Mounting Hgt 25'.	30
120 Watt Cobrahead on 30' Pole and 6' Mast Arm	31
50 Watt Cobrahead on 30' Black Pole and Davit Arm.	32
50 Watt Cobraheads on 30' Black Pole and Double Davit Arms.	33
120 Watt Cobrahead on 30' Black Pole and Davit Arm	34
120 Watt Cobraheads on 30' Black Pole and Double Davit Arm	35
50 Watt Cobrahead on 40' pole and Truss Arm	36
120 Watt Cobrahead on 40' Pole and Truss Arm	37
75 Watt Teardrop Light on 18' Fluted Pole	38
225 Watt Directional Streetlight on Black 45' Pole	39
Foundation Drawing SLF-1	40
Foundation Drawing SLF-2	41
Foundation Drawing SLF-3	42
Foundation Drawing SLF-4	43
Foundation Drawing SLF-5	44
Foundation Drawing SLF-6	45
Foundation Drawing SLF-7	46
Foundation Drawing SLF-9	47
Foundation Drawing SLF-11	48
Foundation Drawing SLF-13	49
Foundation Drawing SLF-14	50
Foundation Drawing SLF-15	51
Distributor List	52

MTE Street Lighting

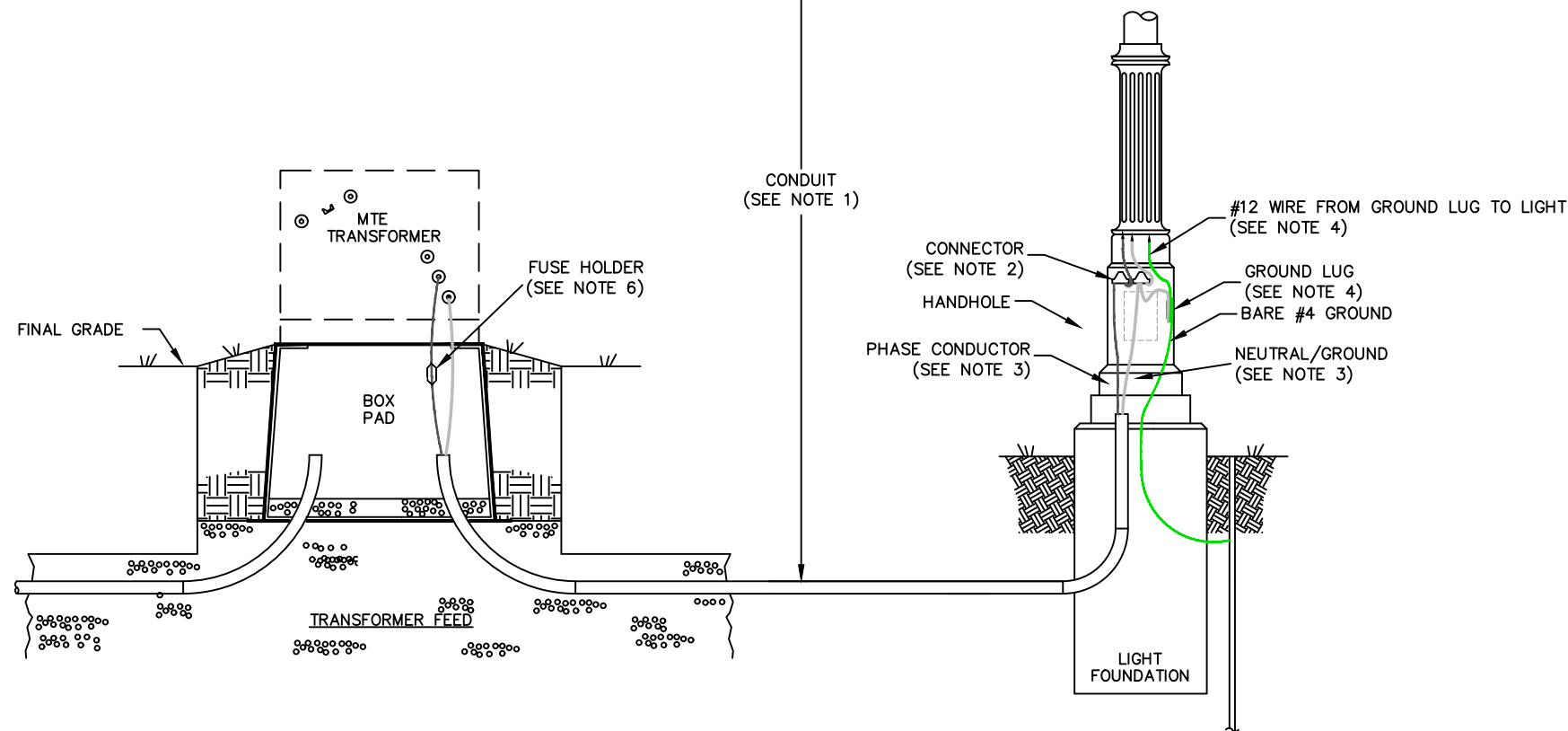
General Requirements

1. Please consult with an MTE engineer or representative before purchasing material or beginning construction on any streetlight installation.
2. MTE will provide information on approved fixtures, foundation designs and locations of pullboxes and conduits.
3. The developer shall request an appointment for a ditch/conduit inspection before ditches are closed.
4. The developer shall request an appointment for a foundation inspection before concrete is poured.
5. A final inspection will be performed before lights are connected to the MTE system.
6. An approved twistlock photo control must be installed with each fixture. Installations will not be energized if non-approved photo controls are used. Approved photo controls are listed below.
 - DTL #DLL127F-1.5-J50
 - Suntech #ELL-124-8607
 - Intermatic #LED4536SWKL
7. An approved fuse and fuse holder must be installed with every fixture. Fuses should be located in the base of the fixture whenever possible. Installations will not be energized if non-approved fuses are used. Approved fuses and fuse holders are listed below.
 - Fuse Holder
 - Submersible – Homac #SLK-M
 - Above Grade – Bussman Fusetron #FNM15
 - Fuse
 - Bussman Fusetron #FNM15
 - Ferraz Shawmut #TRM15

8. The developer shall be responsible for pulling all conductors and making all connections except those connections at the distribution transformer.
9. MTE will connect approved installations only. Installations should be built in accordance with drawing SLC-1. Foundations should be built according to the provided foundation detail drawing of each type of light.



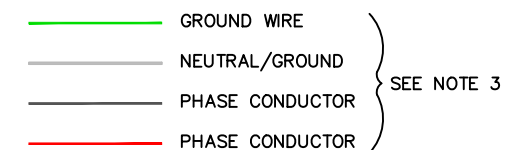
MULTIPLE LIGHTS FED FROM PULL BOXES



SINGLE LIGHT FED FROM TRANSFORMER

NOTES:

- Use schedule 40, PVC standard radius elbows and conduit. Minimum size of conduit shall be 2". All sizes of conduit shall conform to the NEC table 3A, Chapter 9, "Maximum Number of Conductors in Trade Sizes of Conduit or Tubing."
- Connections must have between 6" and 12" of slack when extended from the hand-hole. When wire size permits, the use of appropriately sized wire-nuts is permissible. An insulated Multi-Cable Connector Block shall be used for all other terminations. In no case shall the use of split-bolts and tape be used. When wire sizes prohibit the use of wire nuts, the approved connection for these above grade connectors is Homac type CSB or CMC type NACC.
- A color coded system shall be applied to all streetlight wiring. All "hot" leads shall be colored or marked in their entirety within the junction box, pedestal, or transformer box pad as black, red, or blue. Raceways containing multiple "hot" leads shall be marked independently of each other and alternated between successive lights connected to the individual raceways. The neutral/ground conductor shall be colored or marked white in its entirety within the above mentioned enclosures.
- A grounding lug shall be used within the pole to bond the pole with the service entrance neutral/ground, the neutral of the light, and an 8' driven ground rod. A #12 ground wire shall be run from the ground lug to the ground terminal on all LED lights.
- For all below grade connections, a submersible connector shall be used. Acceptable connectors for below grade use are Homac type RAB and CMC type SSBC. In no case shall the use of split-bolts and tape be used.
- Install fuse holder and fuse in series with source connection to the fixture. Fuses shall be located in the the transformer for single light installations and in the pull boxes for multiple light installations. Approved fuse holder is Homac SLK-M.
- For multiple lights connected to the same transformer feed, install a small secondary junction box near the base of each light. Approved junction boxes are listed in Appendix B of the Underground Installation Guide.
- Install foundation minimum 24" from back of curb.



<h1>MTE</h1>		
<h2>CONSTRUCTION DETAIL STREETLIGHT INSTALLATION</h2>		
SCALE: 3/8" = 1'-0"	APPROVED	DATE 10-6-16
STAKED BY:	DRAWING NO.	SHEET 1
DRAWN BY: K. KESLER	SLC-1	OF 1 SHEETS
CHECKED BY: K T		

25 Watt Town And Country on 10' Pole



MTE Light Unit	M27-25E-B-LEDX
MTE Pole Unit	M-DEC-10C-FB
MTE Item Numbers	1593, 1284
Foundation Drawing	SLF-4

Light	Cooper	UTLD-PA12073025WQ-A-BK-10K-PR7
Pole	Hapco	80252A5D

50 Watt Arlington Post light on 12' Fluted Pole



MTE Light Unit	M27-50A-B-LEDX
MTE Pole Unit	M27-DEC-12A-FB
MTE Item Numbers	1582, 1335
Foundation Drawing	SLF-6

Light	Holophane	ARUE3P2030KMVOLTGL3BKSKPR7
Pole	Hapco	AVS12B5-SFO-BA
	Holophane	WDA 12 F5J 17D C03 BK ABG

50 Watt Arlington Double Post light on 12' Fluted Pole



MTE Light Unit	M27-50A-B-LEDX
MTE Pole/Arm Unit	M-DEC-12A-FB-A2
MTE Item Numbers	1582, 1337
Foundation Drawing	SLF-6

Light	Holophane	ARUE3P2030KMVOLTGL3BKSKPR7
Pole	Holophane	WDA12F5J17P05ABGBK
	Hapco	ARS12B5-SF-BA
Arm	Holophane	CSC 15IN 2A TN BK
	Hapco	76973P1

**50 Watt Ribbed and Banded Granville
Post Light on 12' Fluted Pole**



MTE Light Unit	M27-50B-B-LEDX
MTE Pole/Arm Unit	M27-DEC-12A-FB
MTE Item Numbers	1585, 1335
Foundation Drawing	SLF-6

Light	Holophane	GVD3P2030KMVOLTMSBKGL3RBSTTBKPR7
Pole	Hapco	AVS12B5-SFO-BA
	Holophane	WDA 12 F5J 17D C03 BK ABG

50 Watt Ribbed and Banded Granville
Double Post light on 12' Fluted Pole



MTE Light Unit	M27-50B-B-LEDX
MTE Post Unit	M-DEC-12A-FB-A2
MTE Item Numbers	1585, 1337
Foundation Drawing	SLF-6

Light	Holophane	GVD3P2030KMVOLTMSBKGL3RBSTTBKPR7
Pole	Holophane	WDA12F5J17P05ABGBK
	Hapco	ARS12B5-SF-BA
Arm	Holophane	CSC 15IN 2A TN BK
	Hapco	76973P1

50 Watt Plain Granville Post Light
with Clear Finial on 12' Fluted Pole



MTE Light Unit	M27-50C-B-LEDX
MTE Pole/Arm Unit	M27-DEC-12A-FB
MTE Item Numbers	1588, 1335
Foundation Drawing	SLF-6

Light	Holophane	GVD3P2030KMVOLTMSBKGL3CLPR7
Pole	Hapco	AVS12B5-SFO-BA
	Holophane	WDA 12 F5J 17D C03 BK ABG

50 Watt Plain Granville Double Post Light
with Clear Finial on 12' Fluted Pole



MTE Light Unit	M27-50C-B-LEDX
MTE Pole Unit	M-DEC-12A-FB-A2
MTE Item Numbers	1588, 1337
Foundation Drawing	SLF-6

Light	Holophane	GVD3P2030KMVOLTMSBKGL3CLPR7
Pole	Holophane	WDA12F5J17P05ABGBK
	Hapco	ARS12B5-SF-BA
Arm	Holophane	CSC 15IN 2A TN BK
	Hapco	76973P1

50 Watt Plain Granville Post Light
with Black Finial on 12' Fluted Pole



MTE Light Unit	M27-50D-B-LEDX
MTE Pole Unit	M27-DEC-12A-FB
MTE Item Numbers	2245, 1335
Foundation Drawing	SLF-6

Light	Holophane	GVD3P3030KMVOLTMSG3BKSTTBKPR7
Pole	Hapco	AVS12B5-SFO-BA
	Holophane	WDA 12 F5J 17D C03 BK ABG

50 Watt Arlington Post light on 16' Smooth Pole



MTE Light Unit	M27-50A-B-LEDX
MTE Pole Unit	M-DEC-16B-FB
MTE Item Numbers	1582, 1322
Foundation Drawing	SLF-5

Light	Holophane	ARUE3P2030KMVOLTGL3BKSKPR7
Pole	Hapco	74167-005P1
	Holophane	BLA 16 S4J 11S C03 BK ABG RFD325468

50 Watt Arlington Post light on 16' Fluted Pole



MTE Light Unit	M27-50A-B-LEDX
MTE Pole Unit	M-DEC-16A-FB
MTE Item Numbers	1582, 1336
Foundation Drawing	SLF-7

Light	Holophane	ARUE3P2030KMVOLTGL3BKSKPR7
Pole	Hapco	AVS16B5-SFO-BA
	Holophane	WDA 16 F5J 17D C03 BK ABG

**50 Watt Ribbed and Banded Granville
Post Light on 16' Smooth Pole**



MTE Light Unit	M27-50B-B-LEDX
MTE Pole Unit	M-DEC-16B-FB
MTE Item Numbers	1585, 1322
Foundation Drawing	SLF-5

Light	Holophane	GVD3P2030KMVOLTMSBKGL3RBSTTBKPR7
Pole	Hapco	74167-005P1
	Holophane	BLA 16 S4J 11S C03 BK ABG RFD325468

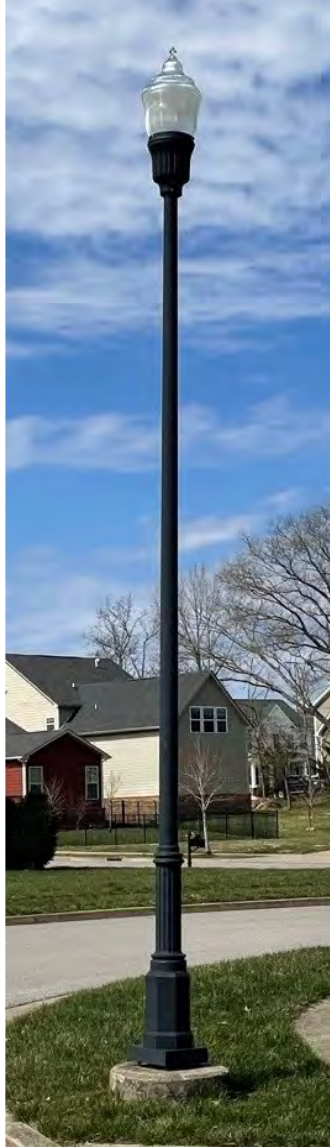
50 Watt Ribbed and Banded Post light on 16' Fluted Pole



MTE Light Unit	M27-50B-B-LEDX
MTE Pole Unit	M-DEC-16A-FB
MTE Item Numbers	1585, 1336
Foundation Drawing	SLF-7

Light	Holophane	GVD3P2030KMVOLTMSBKGL3RBSTTBKPR7
Pole	Hapco	AVS16B5-SFO-BA
	Holophane	WDA 16 F5J 17D C03 BK ABG

**50 Watt Plain Granville Post Light
with Clear Finial on 16' Smooth Pole**



MTE Light Unit	M27-50C-B-LEDX
MTE Pole Unit	M-DEC-16B-FB
MTE Item Numbers	1588, 1322
Foundation Drawing	SLF-5

Light	Holophane	GVD3P2030KMVOLTMSBKGL3CLPR7
Pole	Hapco	74167-005P1
	Holophane	BLA 16 S4J 11S C03 BK ABG RFD325468

50 Watt Plain Granville Post Light
with Clear Finial on 16' Fluted Pole



MTE Light Unit	M27-50C-B-LEDX
MTE Pole Unit	M-DEC-16A-FB
MTE Item Numbers	1588, 1336
Foundation Drawing	SLF-7

Light	Holophane	GVD3P2030KMVOLTMSBKGL3CLPR7
Pole	Hapco	AVS16B5-SFO-BA
	Holophane	WDA 16 F5J 17D C03 BK ABG

50 Watt Lantern Light on 18' Pole with Clear Finish



MTE Light Unit	M27-50F-B-LEDX
MTE Pole Unit	M-DEC-18E-FC
MTE Item Numbers	1591, 1308
Foundation Drawing	SLF-2

Light	American Electric	247L P153 MVOLT 30K R5 AY BK PR7 SCC
	Cooper	LXFPA150730U5WQABK10MSPPR7
Pole	Hapco	76-007/274-002

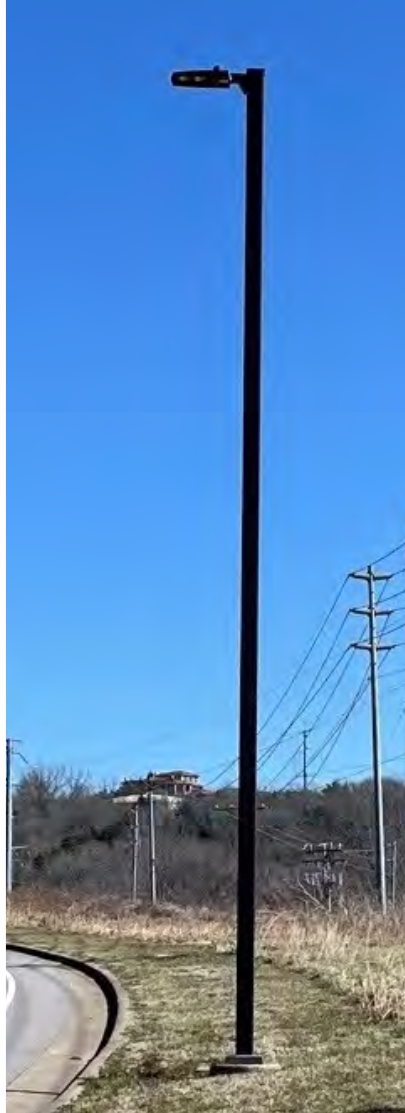
50 Watt Lantern Light on 18' Pole with Black Finish



MTE Light Unit	M27-50F-B-LEDX
MTE Pole Unit	M-DEC-18E-FB
MTE Item Numbers	1591, 1309
Foundation Drawing	SLF-2

Light	American Electric	247L P153 MVOLT 30K R5 AY BK PR7 SCC
	Cooper	LXFPA150730U5WQABK10MSPPR7
Pole	Hapco	76-007A5/274-002 Black

50 Watt Shoe Box Light on 30' Square Pole



MTE Light Unit		M30-50-LEDX
MTE Pole Unit		M-DEC-30G-FB
MTE Item Numbers		1586, 1315
Foundation Drawing		SLF-1
Light	Cooper	USSLCO1DUT3SABK703010K4N7
Pole	Hapco	11-290-A5-D

150 Watt Shoe Box Light on 30' Square Pole



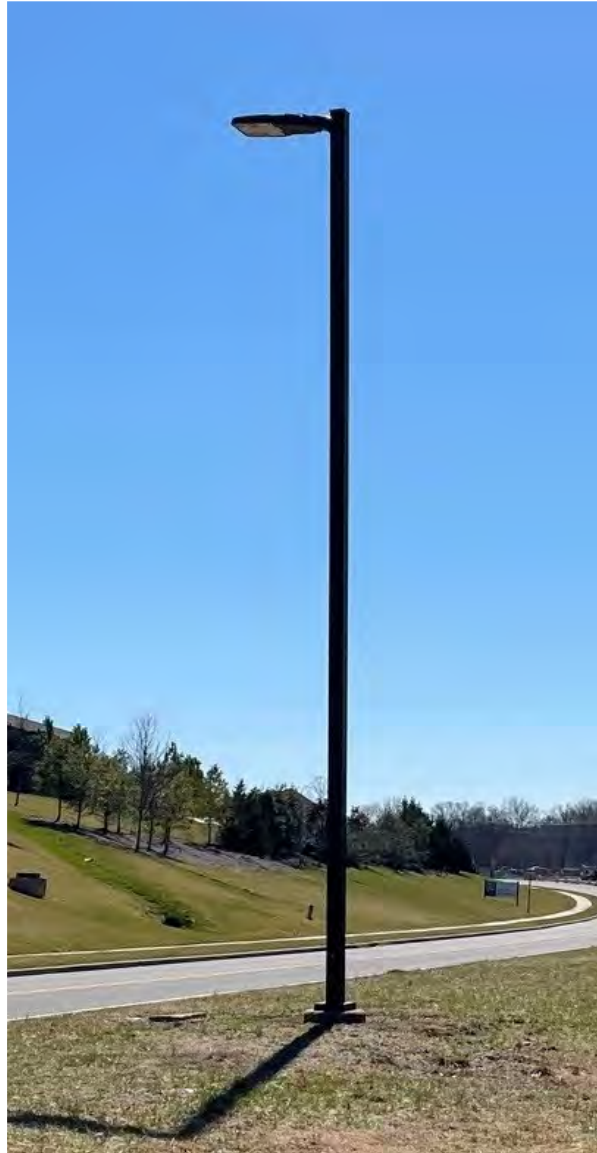
MTE Light Unit		M30-150-LEDX
MTE Pole Unit		M-DEC-30G-FB
MTE Item Numbers		1592, 1315
Foundation Drawing		SLF-1
Light	Cooper	USSLCO29DUT3SABK703010K4N7
Pole	Hapco	11-290-A5-D

150 Watt Double Shoe Box Light on 30' Square Pole



MTE Light Unit		M30-150-LEDX
MTE Pole Unit		M-DEC-30G-FB-2
MTE Item Numbers		1592, 1313
Foundation Drawing		SLF-1
Light	Cooper	USSLCO29DUT3SABK703010K4N7
Pole	Hapco	11-290-A5-D

150 Watt Shoe Box Light on 35' Square Pole



MTE Light Unit	M30-150-LEDX
MTE Pole Unit	M-DEC-35G-FB
MTE Item Numbers	1592, 2006
Foundation Drawing	SLF-1

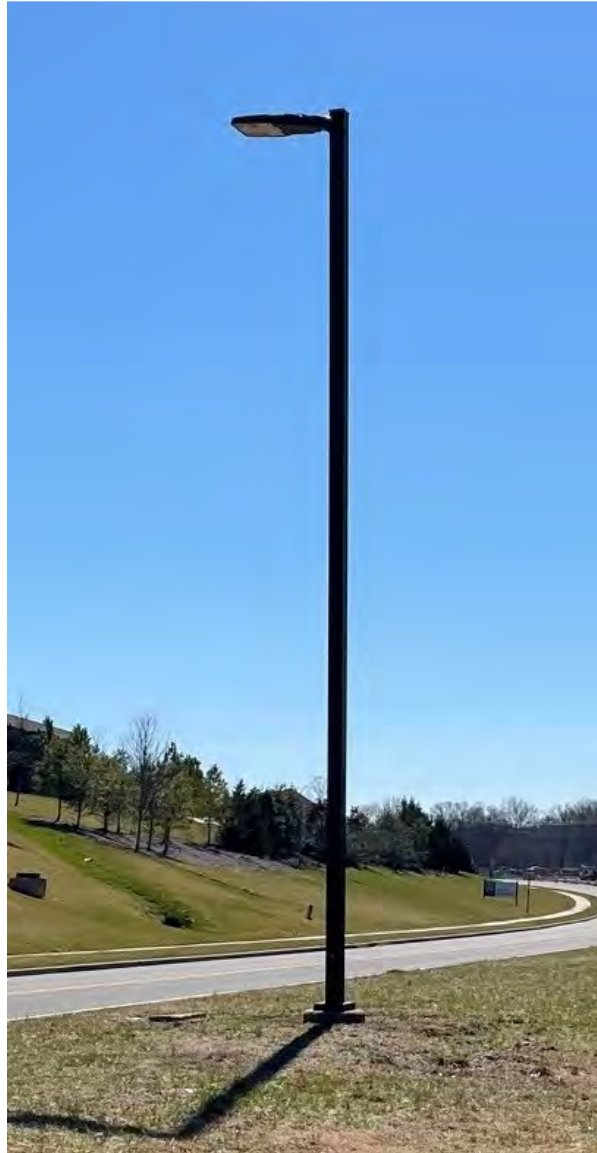
Light	Cooper	USSLCO29DUT3SABK703010K4N7
Pole	Hapco	SSA35F6-4-BA

150 Watt Double Shoe Box Light on 35' Square Pole



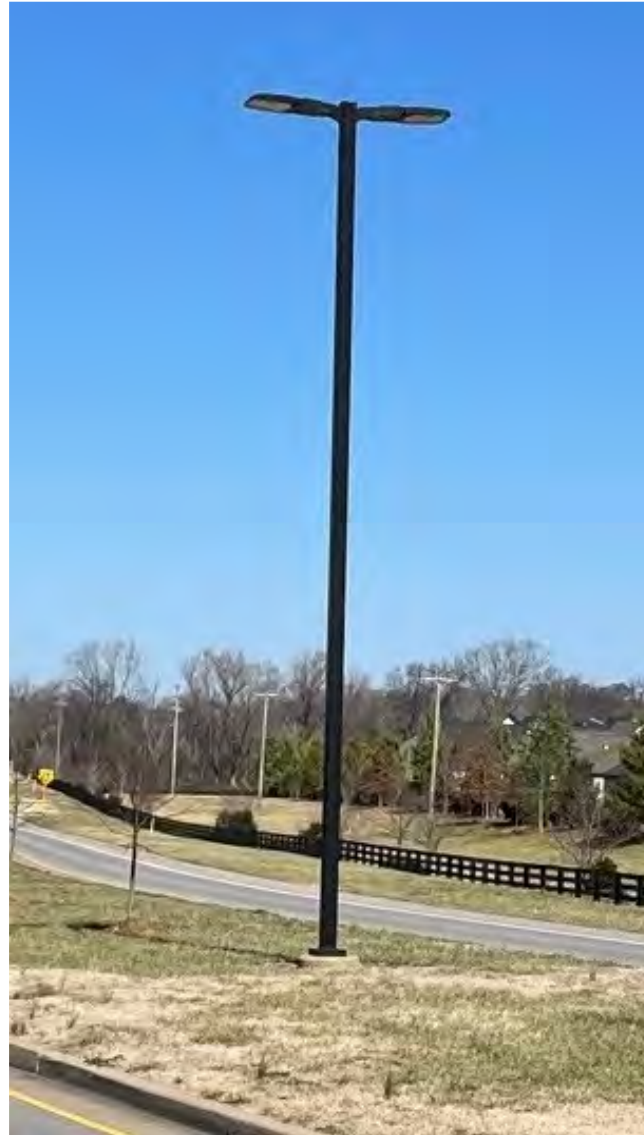
MTE Light Unit		M30-150-LEDX
MTE Pole Unit		M-DEC-35G-FB-2
MTE Item Numbers		1592, 2006
Foundation Drawing		SLF-1
Light	Cooper	USSLCO29DUT3SABK703010K4N7
Pole	Hapco	SSA35F6-4-BA

175 Watt Shoe Box Light on 35' Square Pole



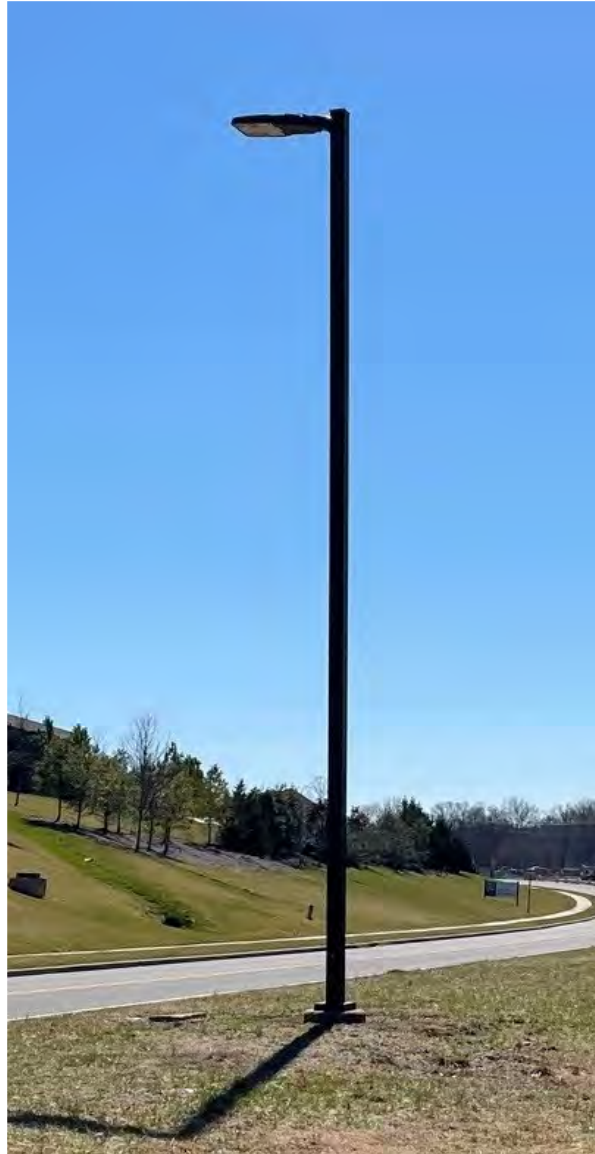
MTE Light Unit		M30-175-LEDX
MTE Pole Unit		M-DEC-35G-FB
MTE Item Numbers		1701, 2006
Foundation Drawing		SLF-1
Light	Holophane	MGLEDMP330KMVOLTMGUNBKSDPR7NL
Pole	Hapco	SSA35F6-4-BA

175 Double Watt Shoe Box Light on 35' Square Pole



MTE Light Unit	M30-175-LEDX	
MTE Pole Unit	M-DEC-35G-FB-2	
MTE Item Numbers	1701, 2006	
Foundation Drawing	SLF-1	
Light	Holophane	MGLEDMP330KMVOLTMGUNBKSDPR7NL
Pole	Hapco	SSA35F6-4-BA

225 Watt Shoe Box Light on 35' Square Pole



MTE Light Unit	M30-225-LEDX
MTE Pole Unit	M-DEC-35G-FB
MTE Item Numbers	1587, 2006
Foundation Drawing	SLF-1

Light	Holophane	MGLEDMP530KMVOLTMGUNBKSDPR7NL
Pole	Hapco	SSA35F6-4-BA

225 Watt Double Shoe Box Light on 35' Square Pole



MTE Light Unit	M30-225-LEDX
MTE Pole Unit	M-DEC-35G-FB-2
MTE Item Numbers	1587, 2006
Foundation Drawing	SLF-1

Light	Holophane	MGLEDMP530KMVOLTMGUNBKSDPR7NL
Pole	Hapco	SSA35F6-4-BA

50 Watt Cobrahead on 25' Pole and 6' Mast Arm



MTE Light Unit	M28-50-LEDX
MTE Pole/Arm Unit	M-DEC-25H-FC-6M
MTE Item Numbers	1692, 1684, 1685
Foundation Drawing	SLF-14

Light	Cooper	ARCHNPA150730UT3AP10MSPPR7
	GE	ERL1006C330AGRAYRX224
	EOI	ESU-FA013M08B30N-700KIU1-1512N
Pole	Hapco	RTA25C7B4M16-01

120 Watt Cobrahead on 25' Pole and 6' Mast Arm



MTE Light Unit	M28-120-LEDX
MTE Pole/Arm Unit	M-DEC-25H-FC-6M
MTE Item Numbers	1695, 1684, 1685
Foundation Drawing	SLF-14

Light	Cooper	ARCHMPA2120730UT3AP10MSPPR7
	GE	ERL2016B330AGRAYR176
	EOI	CRLM-A48L180UD3M30GY10V-7R-N
Pole	Hapco	RTA25C7B4M16-01

120 Watt Cobrahead on 30' Pole and 6' Mast Arm



MTE Light Unit	M28-120-LEDX
MTE Pole/Arm Unit	M-DEC-30H-FC-6M
MTE Item Numbers	1695
Foundation Drawing	SLF-15

Light	Cooper	ARCHMPA2120730UT3AP10MSPPR7
	GE	ERL2016B330AGRAYR176
	EOI	CRLM-A48L180UD3M30GY10V-7R-N
Pole	Hapco	RTA30C7B4M16-01

50 Watt Black Cobra Head
on 30' Pole Davit Arm



MTE Light Unit	M28-50-B-LEDX
MTE Pole/Arm Unit	M-DEC-30J-FB-6D
MTE Item Numbers	1594, 1319, 1320
Foundation Drawing	SLF-3

Light	Cooper	ARCHNPA150730UT3BK10MSPPR7
	GE	ERL1006C330ABLCKRX224
Pole/Arm	Hapco	RTA30D8B4D16-BA

50 Watt Black Cobra Head on
30' Pole with Double Davit Arm



MTE Light Unit	M31-50-30D-LED
MTE Pole/Arm Unit	M-DEC-30J-FB-6D-2
MTE Item Numbers	1594, 1319, 1321
Foundation Drawing	SLF-3

Light	Cooper	ARCHNPA150730UT3BK10MSPPR7
	GE	ERL1006C330ABLCKRX224
Pole	Hapco	RTA30D8B4D26-BA

120 Watt Black Cobra Head
on 30' Pole Davit Arm



MTE Light Unit	M28-120-B-LEDX
MTE Pole/Arm Unit	M-DEC-30J-FB-6D
MTE Item Numbers	1698, 1319, 1320
Foundation Drawing	SLF-3

Light	Cooper	ARCHMPA2120730UT3BK10MSPPR7
	GE	ERL2016C330ABLKRX
Pole	Hapco	RTA30D8B4D16-BA

120 Watt Black Cobra Head on
30' Pole with Double Davit Arm



MTE Light Unit	M28-120-B-LEDX
MTE Pole/Arm Unit	M-DEC-30J-FB-6D-2
MTE Item Numbers	1698, 1319, 1321
Foundation Drawing	SLF-3

Light	Cooper	ARCHMPA2120730UT3BK10MSPPR7
	GE	ERL2016C330ABLKRX
Pole	Hapco	RTA30D8B4D26-BA

50 Watt Cobrahead on 40' Pole and Truss Arm



MTE Ligh Unit		M28-50-LEDX
MTE Pole/Arm Unit		M-DEC-40K-FC-8T
MTE Item Numbers		1692, 1317, 1318
Foundation Drawing		SLF-9
Light	Cooper	ARCHNPA150730UT3AP10MSPPR7
	GE	ERL1006C330AGRAYRX224
	EOI	ESU-FA013M08B30N-700KIU1-1512N
Pole	Hapco	RTA40D8C4T18-01

120 Watt Cobrahead on 40' Pole and Truss Arm



MTE Ligh Unit	M28-120-LEDX
MTE Pole/Arm Unit	M-DEC-40K-FC-8T
MTE Item Numbers	1695, 1317, 1318
Foundation Drawing	SLF-9

Light	Cooper	ARCHMPA2120730UT3AP10MSPPR7
	GE	ERL2016B330AGRAYR176
	EOI	CRLM-A48L180UD3M30GY10V-7R-N
Pole	Hapco	RTA40D8C4T18-01

75 Watt Teardrop Light on 18' Pole



MTE Light Unit	M33-75-B-LEDX
MTE Pole/Arm Unit	M-DEC-18A-FB-P
MTE Item Numbers	1538, 1535, 1536
Foundation Drawing	SLF-13

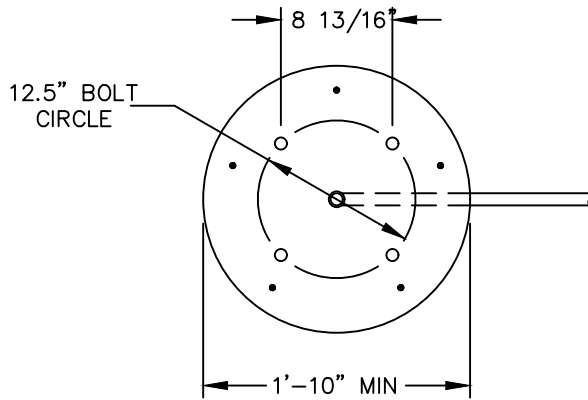
Light	Holophane	MSPL2 P40 30K MVOLT TG4 QSM BK PR7
Pole	Holophane	WDA18F5J17P05BK AB-31-4 RFD286358
Arm	Holophane	CSC20/1CABKHINV-QSM RFD281072

225 Watt Directional Streetlight on Black 45' Pole

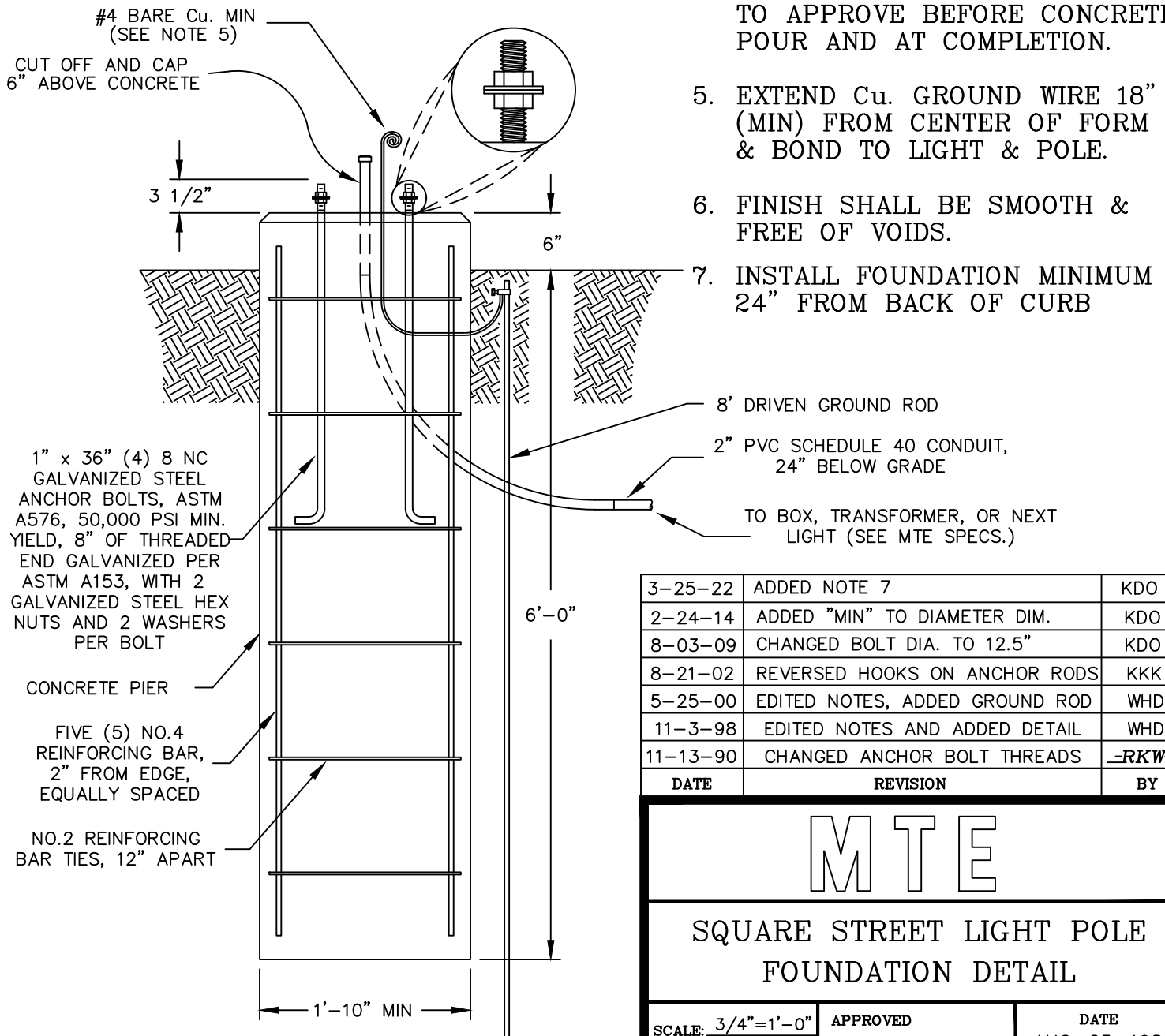


MTE Light Unit	M33-225-LEDX
MTE Pole/Arm Unit	M-DEC-45L-RB
MTE Item Numbers	1703, 1334
Foundation Drawing	SLF-11

Light	Holophane	MGLEDMP530KMVOLTMRVHGRSDPR7NL
	Cooper	GANSA4C730UTR3ADJSAPTH3PR7
Pole	Holophane	B75635-A5D



PLAN VIEW



ELEVATION VIEW

NOTES:

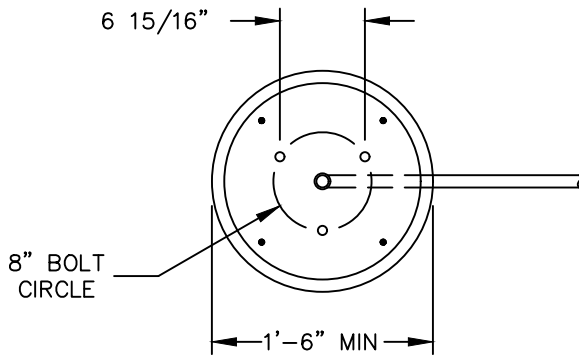
1. DEVELOPER SHALL CHECK WITH MTE REGARDING CONDUIT SIZE, TRANSFORMER LOCATIONS, AND POSSIBLE BOXES REQUIRED.
2. ALL MATERIALS AND LABOR TO BE FURNISHED BY DEVELOPER.
3. ALIGN ANCHOR BOLTS TO BE PARALLEL TO STREET.
4. MTE DITCH INSPECTOR TO APPROVE BEFORE CONCRETE POUR AND AT COMPLETION.
5. EXTEND Cu. GROUND WIRE 18" (MIN) FROM CENTER OF FORM & BOND TO LIGHT & POLE.
6. FINISH SHALL BE SMOOTH & FREE OF VOIDS.
7. INSTALL FOUNDATION MINIMUM 24" FROM BACK OF CURB

DATE	REVISION	BY
3-25-22	ADDED NOTE 7	KDO
2-24-14	ADDED "MIN" TO DIAMETER DIM.	KDO
8-03-09	CHANGED BOLT DIA. TO 12.5"	KDO
8-21-02	REVERSED HOOKS ON ANCHOR RODS	KKK
5-25-00	EDITED NOTES, ADDED GROUND ROD	WHD
11-3-98	EDITED NOTES AND ADDED DETAIL	WHD
11-13-90	CHANGED ANCHOR BOLT THREADS	-RKW-

MTE

SQUARE STREET LIGHT POLE FOUNDATION DETAIL

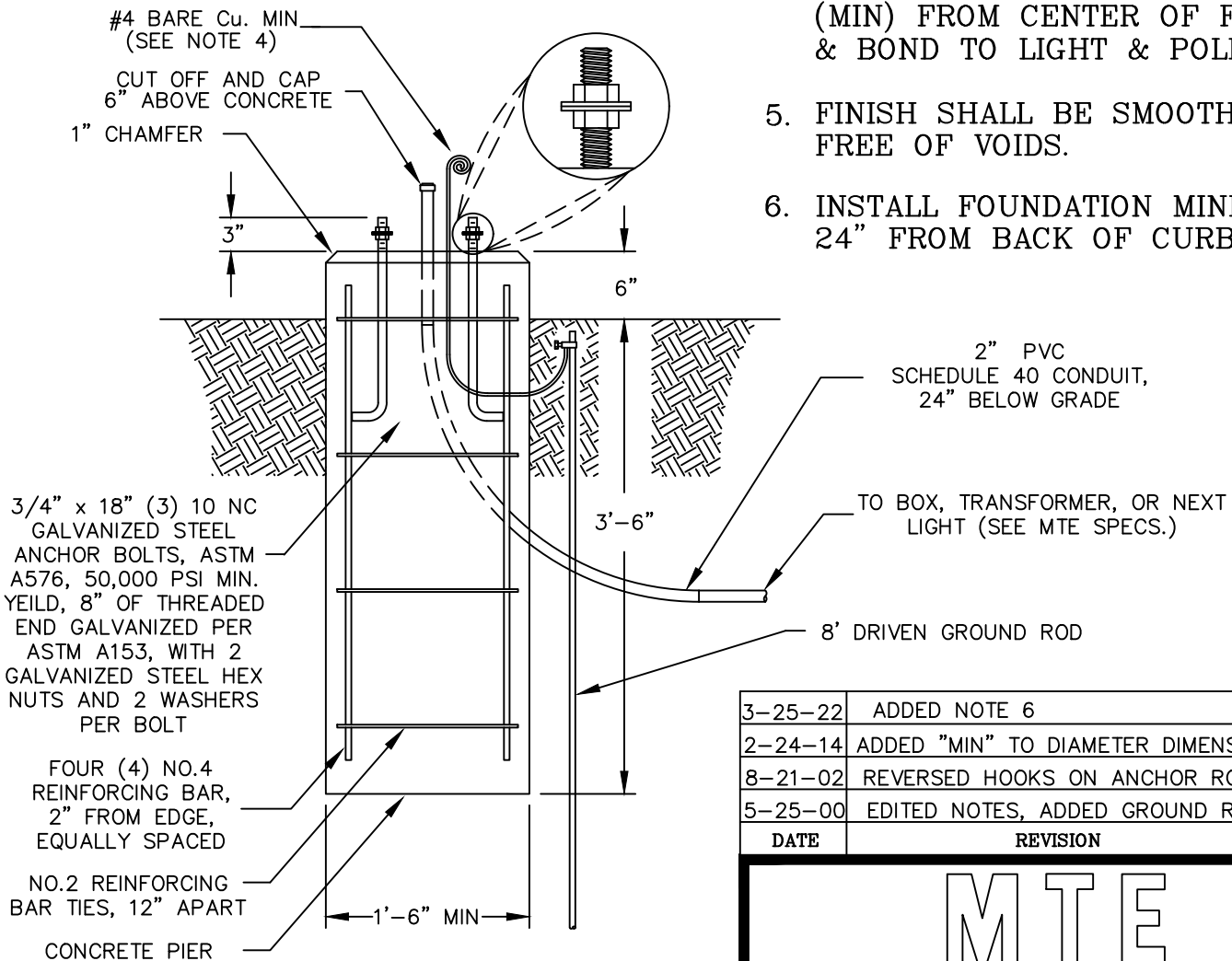
SCALE: 3/4"=1'-0"	APPROVED	DATE AUG. 25, 1989
PREPARED BY: CTG	DRAWING NO. SLF-1	SHEET <u>1</u>
DRAWN BY: -RKW-		OF <u>1</u> SHEETS
CHECKED BY: CTG		



PLAN VIEW

NOTES:

1. DEVELOPER SHALL CHECK WITH MTE REGARDING TRANSFORMER LOCATION, AND POSSIBLE BOX LOCATION.
2. ALL MATERIALS AND LABOR TO BE FURNISHED BY DEVELOPER.
3. MTE DITCH INSPECTOR TO APPROVE BEFORE CONCRETE POUR AND AT COMPLETION.
4. EXTEND Cu. GROUND WIRE 18" (MIN) FROM CENTER OF FORM & BOND TO LIGHT & POLE.
5. FINISH SHALL BE SMOOTH & FREE OF VOIDS.
6. INSTALL FOUNDATION MINIMUM 24" FROM BACK OF CURB



ELEVATION VIEW

DATE	REVISION	BY
3-25-22	ADDED NOTE 6	KDO
2-24-14	ADDED "MIN" TO DIAMETER DIMENSION	KDO
8-21-02	REVERSED HOOKS ON ANCHOR RODS	KKK
5-25-00	EDITED NOTES, ADDED GROUND ROD	WHD

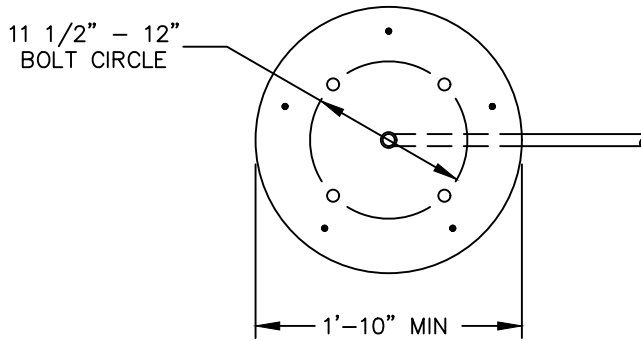
MTE

18' STREET LIGHT POLE
FOUNDATION DETAIL

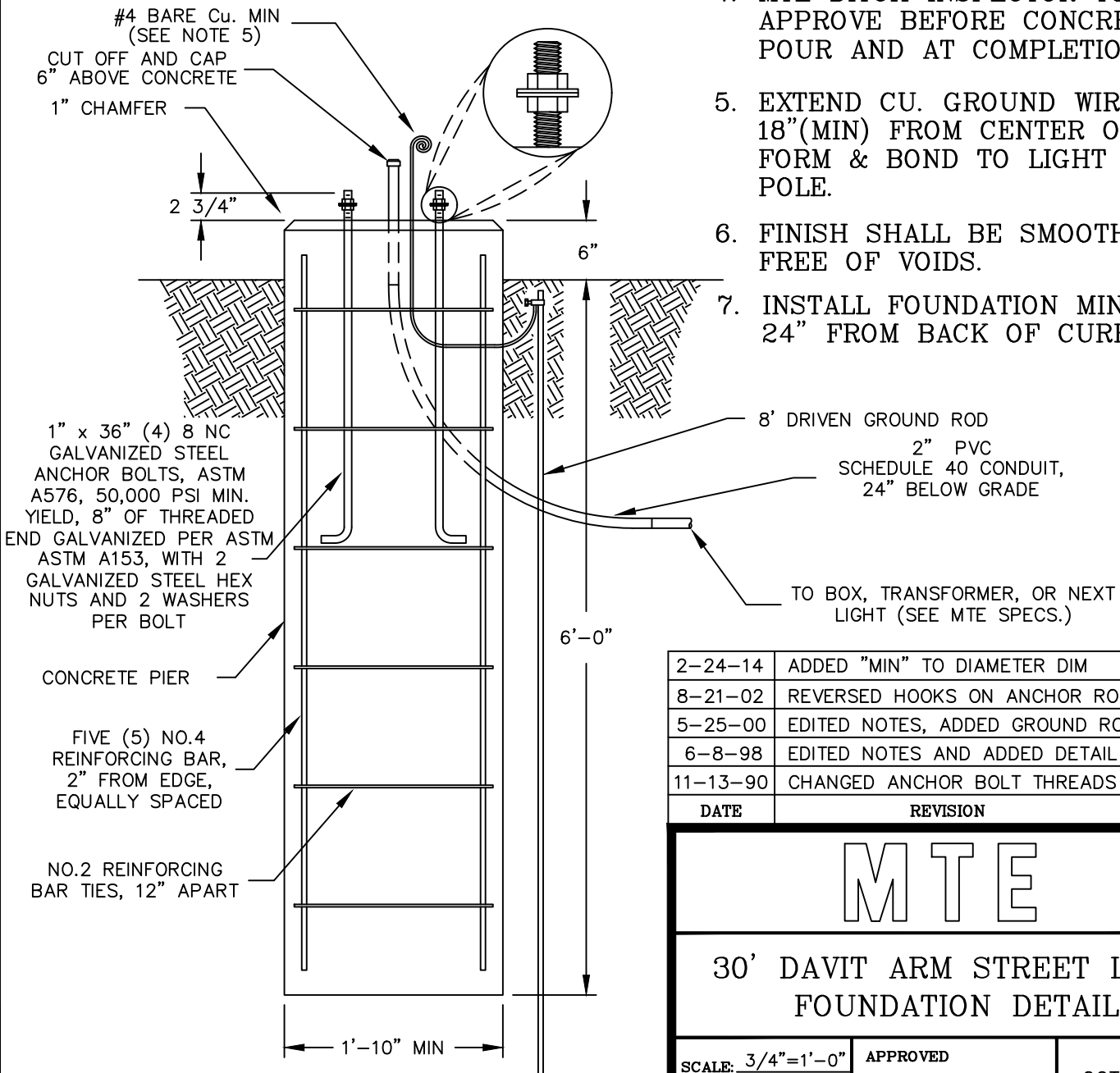
SCALE: 3/4"=1'-0"	APPROVED	DATE AUG. 25, 1989
PREPARED BY: CTG	DRAWING NO. SLF-2	SHEET 1
DRAWN BY: -RKW-		OF 1 SHEETS
CHECKED BY: CTG		

NOTES:

1. DEVELOPER SHALL CHECK WITH MTE REGARDING CONDUIT SIZE, TRANSFORMER LOCATIONS, AND POSSIBLE BOXES REQUIRED.
2. ALL MATERIALS AND LABOR TO BE FURNISHED BY DEVELOPER.
3. ALIGN ANCHOR BOLTS TO BE PARALLEL TO STREET.
4. MTE DITCH INSPECTOR TO APPROVE BEFORE CONCRETE POUR AND AT COMPLETION.
5. EXTEND CU. GROUND WIRE 18"(MIN) FROM CENTER OF FORM & BOND TO LIGHT & POLE.
6. FINISH SHALL BE SMOOTH & FREE OF VOIDS.
7. INSTALL FOUNDATION MINIMUM 24" FROM BACK OF CURB



PLAN VIEW



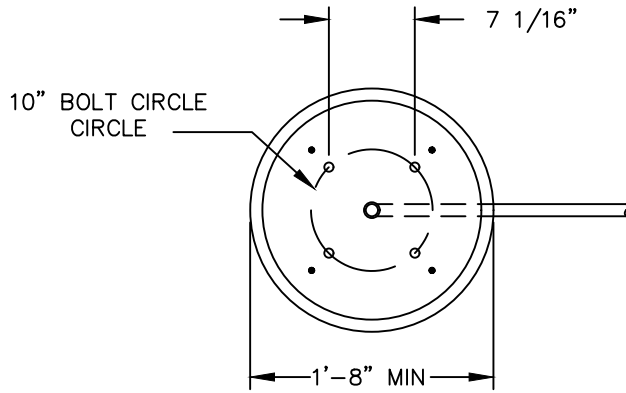
ELEVATION VIEW

DATE	REVISION	BY
2-24-14	ADDED "MIN" TO DIAMETER DIM	KDO
8-21-02	REVERSED HOOKS ON ANCHOR RODS	KKK
5-25-00	EDITED NOTES, ADDED GROUND ROD	WHD
6-8-98	EDITED NOTES AND ADDED DETAIL	WHD
11-13-90	CHANGED ANCHOR BOLT THREADS	-RKW-

MTE

**30' DAVIT ARM STREET LIGHT
FOUNDATION DETAIL**

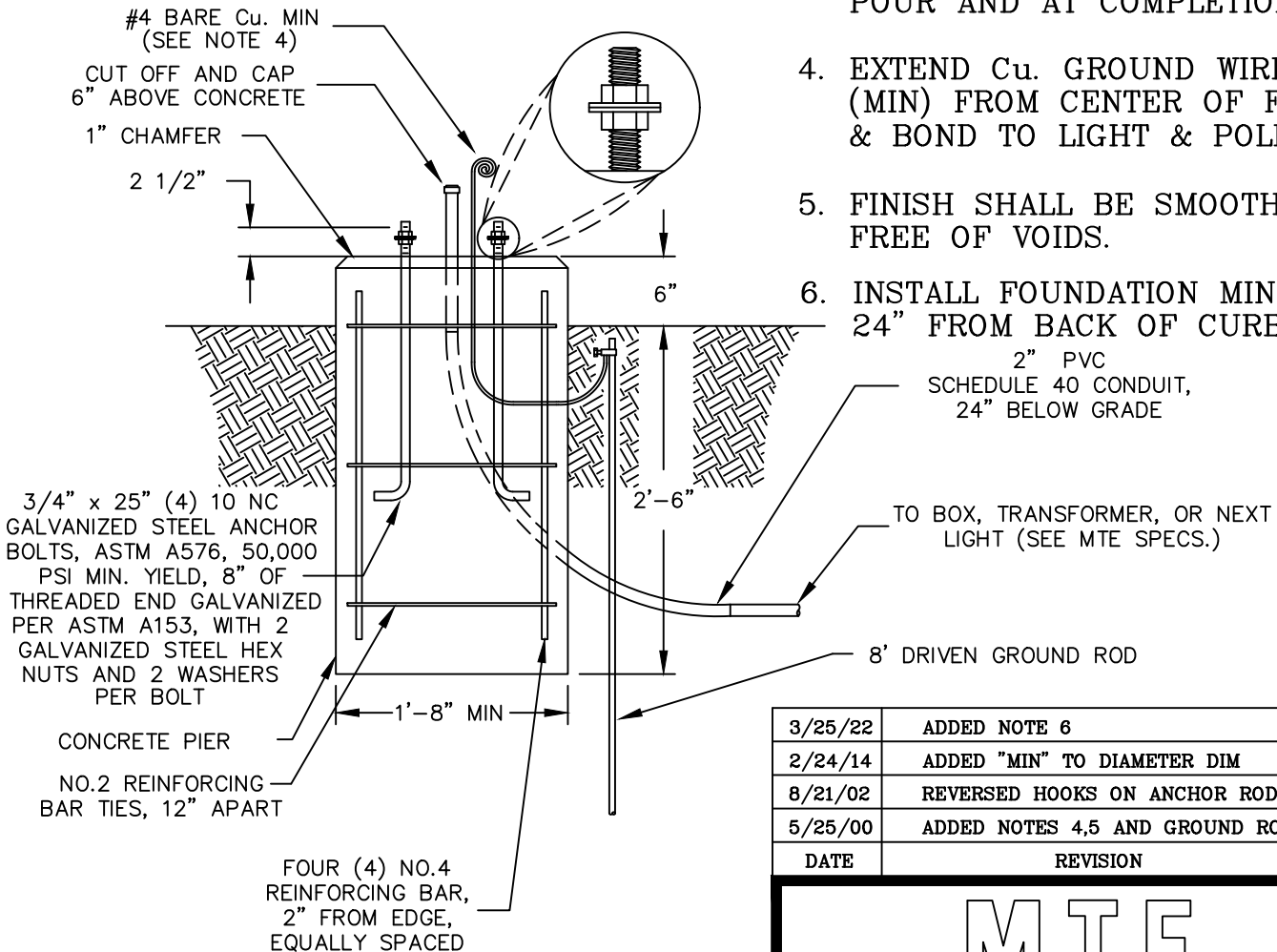
SCALE: 3/4"=1'-0"	APPROVED	DATE
PREPARED BY: CTG	DRAWING NO.	OCT. 5, 1990
DRAWN BY: -RKW-	SLF-3	SHEET 1
CHECKED BY: CTG		OF 1 SHEETS



PLAN VIEW

NOTES:

1. DEVELOPER SHALL CHECK WITH MTE REGARDING TRANSFORMER LOCATION, AND POSSIBLE BOX LOCATION.
2. ALL MATERIALS AND LABOR TO BE FURNISHED BY DEVELOPER.
3. MTE DITCH INSPECTOR TO APPROVE BEFORE CONCRETE POUR AND AT COMPLETION.
4. EXTEND Cu. GROUND WIRE 18" (MIN) FROM CENTER OF FORM & BOND TO LIGHT & POLE.
5. FINISH SHALL BE SMOOTH & FREE OF VOIDS.
6. INSTALL FOUNDATION MINIMUM 24" FROM BACK OF CURB



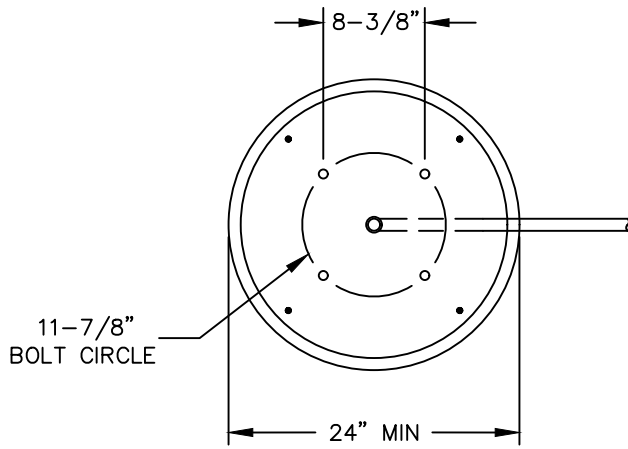
ELEVATION VIEW

DATE	REVISION	BY
3/25/22	ADDED NOTE 6	K.D.O.
2/24/14	ADDED "MIN" TO DIAMETER DIM	K.D.O.
8/21/02	REVERSED HOOKS ON ANCHOR RODS	K.K.K.
5/25/00	ADDED NOTES 4,5 AND GROUND ROD	W.H.D.

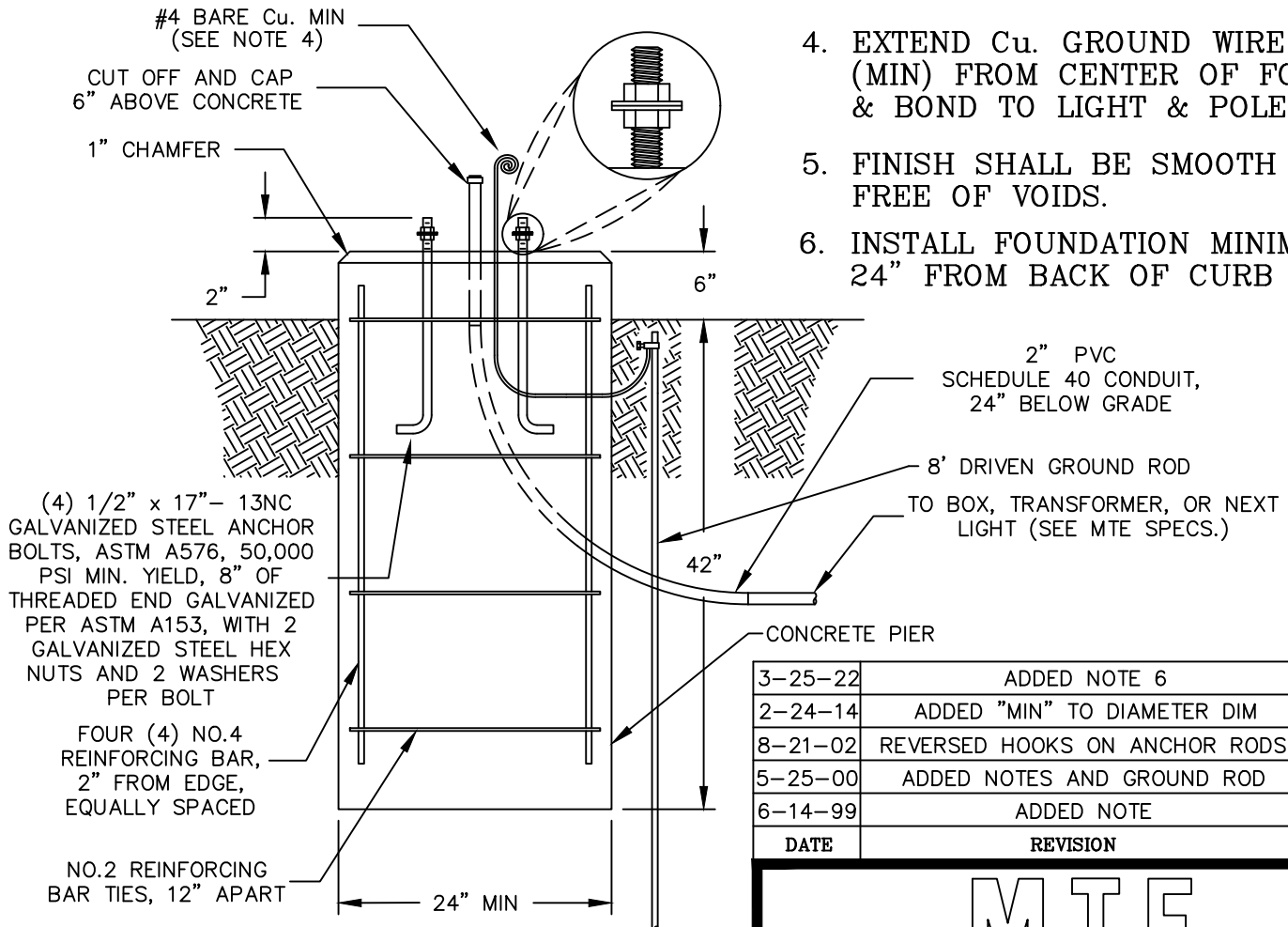
MTE

10' STREET LIGHT POLE
FOUNDATION DETAIL

SCALE: 3/4"=1'-0"	APPROVED	DATE
PREPARED BY: CTG	DRAWING NO. SLF-4	MAR. 8, 1991
DRAWN BY: R. Starry		SHEET 1
CHECKED BY: CTG		OF 1 SHEETS



PLAN VIEW



ELEVATION VIEW

NOTES:

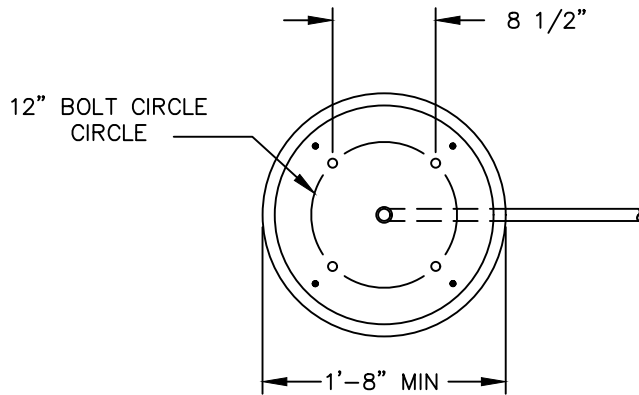
1. DEVELOPER SHALL CHECK WITH MTE REGARDING TRANSFORMER LOCATION AND POSSIBLE BOX LOCATION.
2. ALL MATERIALS AND LABOR TO BE FURNISHED BY DEVELOPER.
3. MTE DITCH INSPECTOR TO APPROVE BEFORE CONCRETE POUR AND AT COMPLETION
4. EXTEND Cu. GROUND WIRE 18" (MIN) FROM CENTER OF FORM & BOND TO LIGHT & POLE.
5. FINISH SHALL BE SMOOTH & FREE OF VOIDS.
6. INSTALL FOUNDATION MINIMUM 24" FROM BACK OF CURB

DATE	REVISION	BY
3-25-22	ADDED NOTE 6	KDO
2-24-14	ADDED "MIN" TO DIAMETER DIM	KDO
8-21-02	REVERSED HOOKS ON ANCHOR RODS	KKK
5-25-00	ADDED NOTES AND GROUND ROD	WHD
6-14-99	ADDED NOTE	WHD

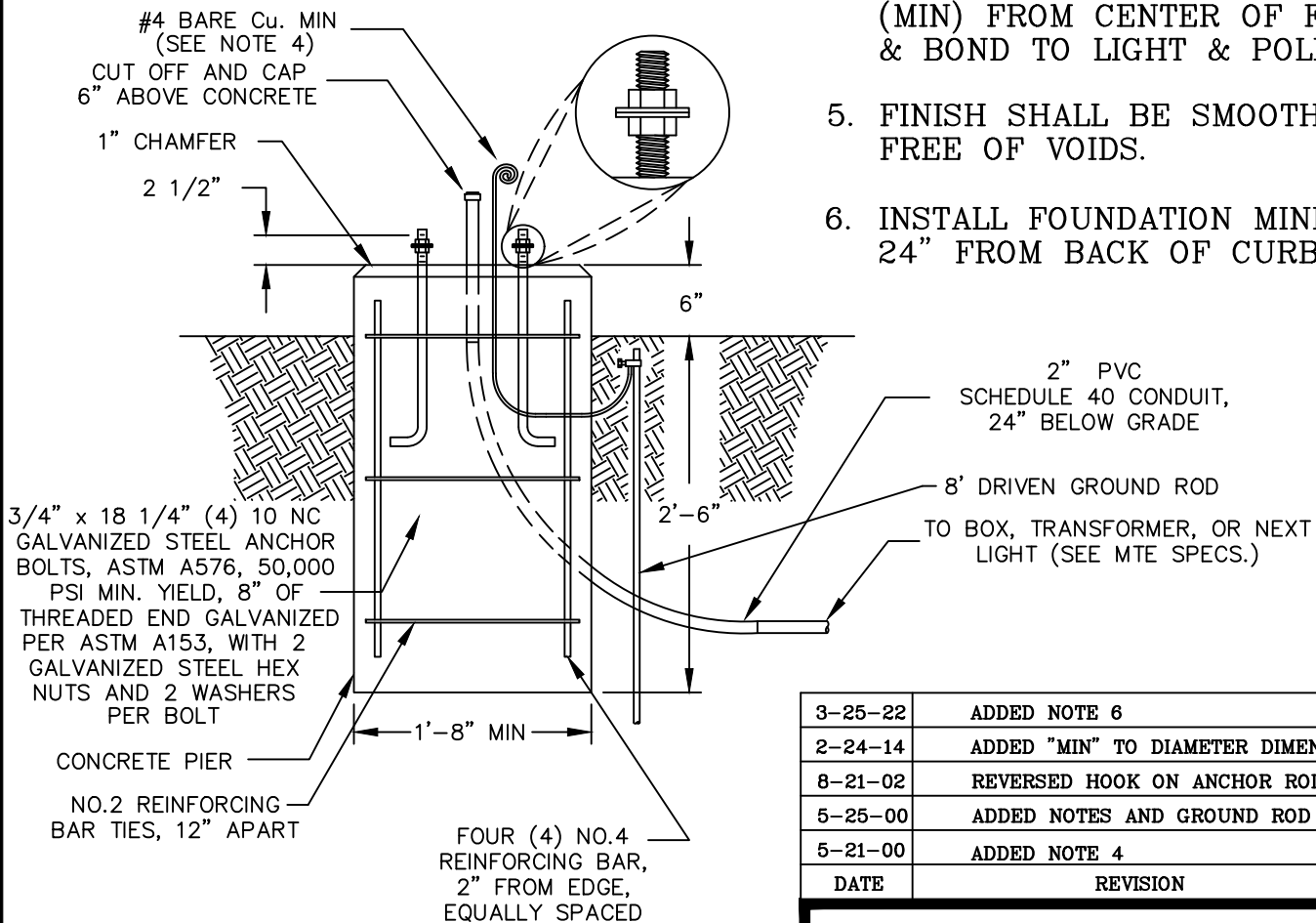
MTE

16' SMOOTH TAPERED
DECORATIVE STREET LIGHT
POLE FOUNDATION DETAIL

SCALE: 3/4"=1'-0"	APPROVED	DATE AUG. 2, 1995
PREPARED BY: SLG	DRAWING NO. SLF-5	SHEET 1
DRAWN BY: PHIL D.		OF 1 SHEETS
CHECKED BY:		



PLAN VIEW



ELEVATION VIEW

NOTES:

1. DEVELOPER SHALL CHECK WITH MTE REGARDING TRANSFORMER LOCATION, AND POSSIBLE BOX LOCATION.
2. ALL MATERIALS AND LABOR TO BE FURNISHED BY DEVELOPER.
3. MTE DITCH INSPECTOR TO APPROVE BEFORE CONCRETE POUR AND AT COMPLETION.
4. EXTEND Cu. GROUND WIRE 18" (MIN) FROM CENTER OF FORM & BOND TO LIGHT & POLE.
5. FINISH SHALL BE SMOOTH & FREE OF VOIDS.
6. INSTALL FOUNDATION MINIMUM 24" FROM BACK OF CURB

3-25-22	ADDED NOTE 6	K.D.O.
2-24-14	ADDED "MIN" TO DIAMETER DIMENSION	K.D.O.
8-21-02	REVERSED HOOK ON ANCHOR RODS	K.K.K.
5-25-00	ADDED NOTES AND GROUND ROD	W.H.D.
5-21-00	ADDED NOTE 4	W.H.D.
DATE	REVISION	BY

MTE

12' FLUTED STREET LIGHT
POLE FOUNDATION DETAIL

SCALE: 3/4"=1'-0"

PREPARED BY: CTG

DRAWN BY: R. Starry

CHECKED BY: CTG

APPROVED

DRAWING NO.

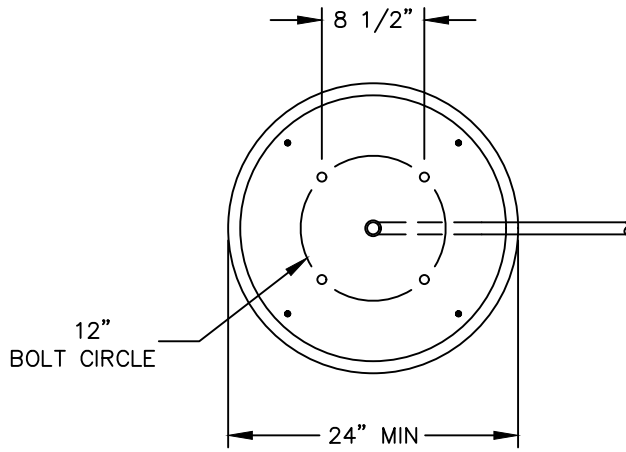
SLF-6

DATE

MAR. 8, 1991

SHEET 1

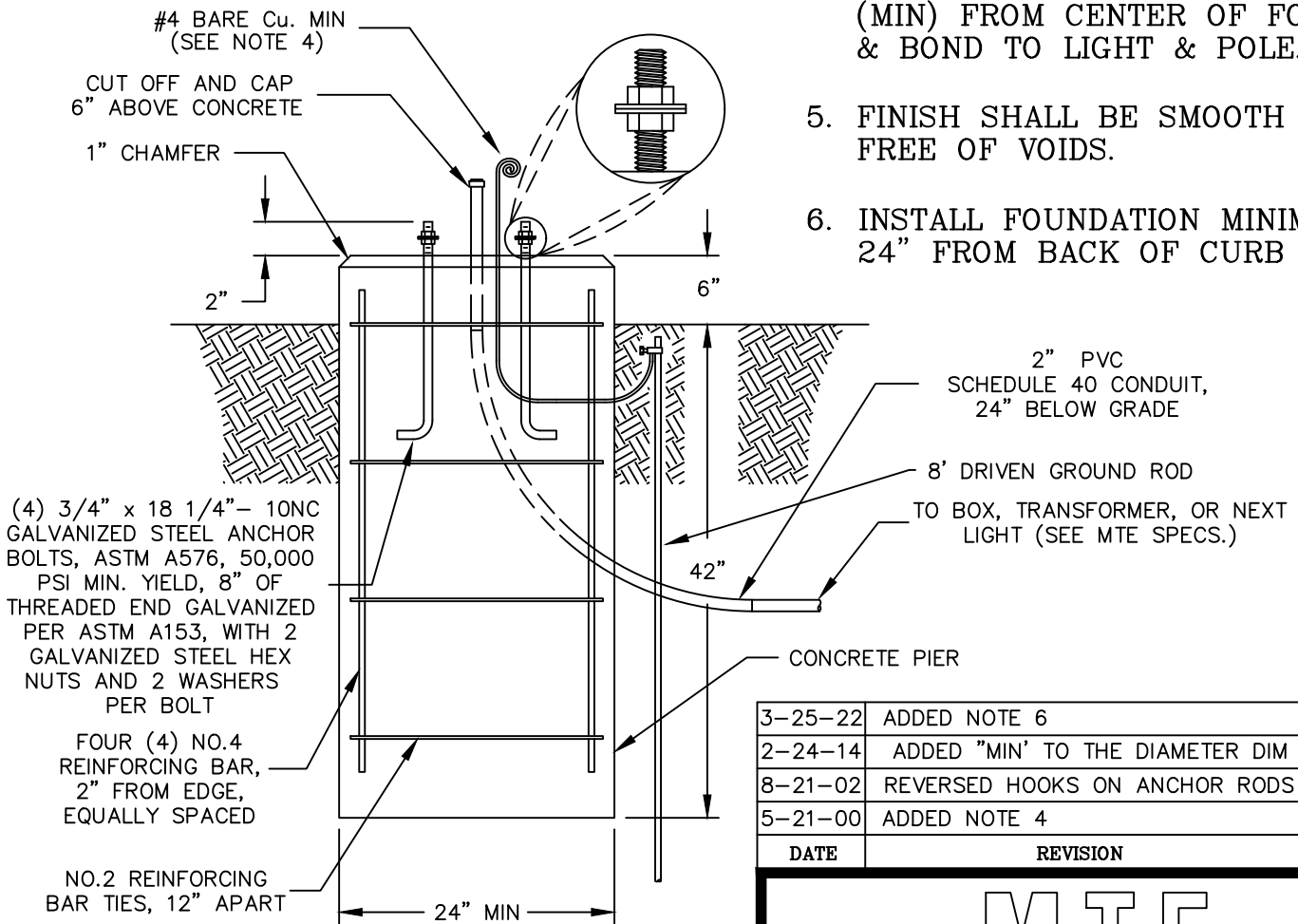
OF 1 SHEETS



PLAN VIEW

NOTES:

1. DEVELOPER SHALL CHECK WITH MTE REGARDING TRANSFORMER LOCATION AND POSSIBLE BOX LOCATION.
2. ALL MATERIALS AND LABOR TO BE FURNISHED BY DEVELOPER.
3. MTE DITCH INSPECTOR TO APPROVE BEFORE CONCRETE POUR AND AT COMPLETION
4. EXTEND Cu. GROUND WIRE 18" (MIN) FROM CENTER OF FORM & BOND TO LIGHT & POLE.
5. FINISH SHALL BE SMOOTH & FREE OF VOIDS.
6. INSTALL FOUNDATION MINIMUM 24" FROM BACK OF CURB



ELEVATION VIEW

3-25-22	ADDED NOTE 6	KDO
2-24-14	ADDED "MIN" TO THE DIAMETER DIM	KDO
8-21-02	REVERSED HOOKS ON ANCHOR RODS	KKK
5-21-00	ADDED NOTE 4	WHD
DATE	REVISION	BY

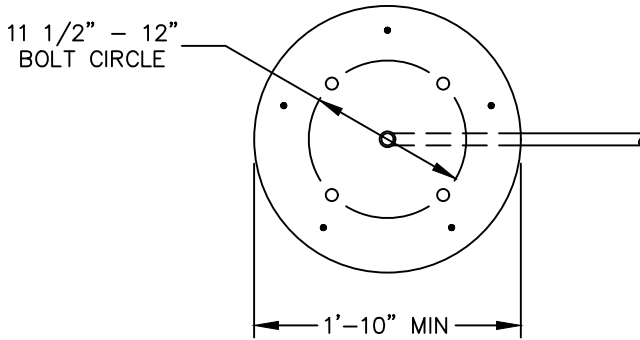


16' FLUTED STREET LIGHT POLE FOUNDATION DETAIL

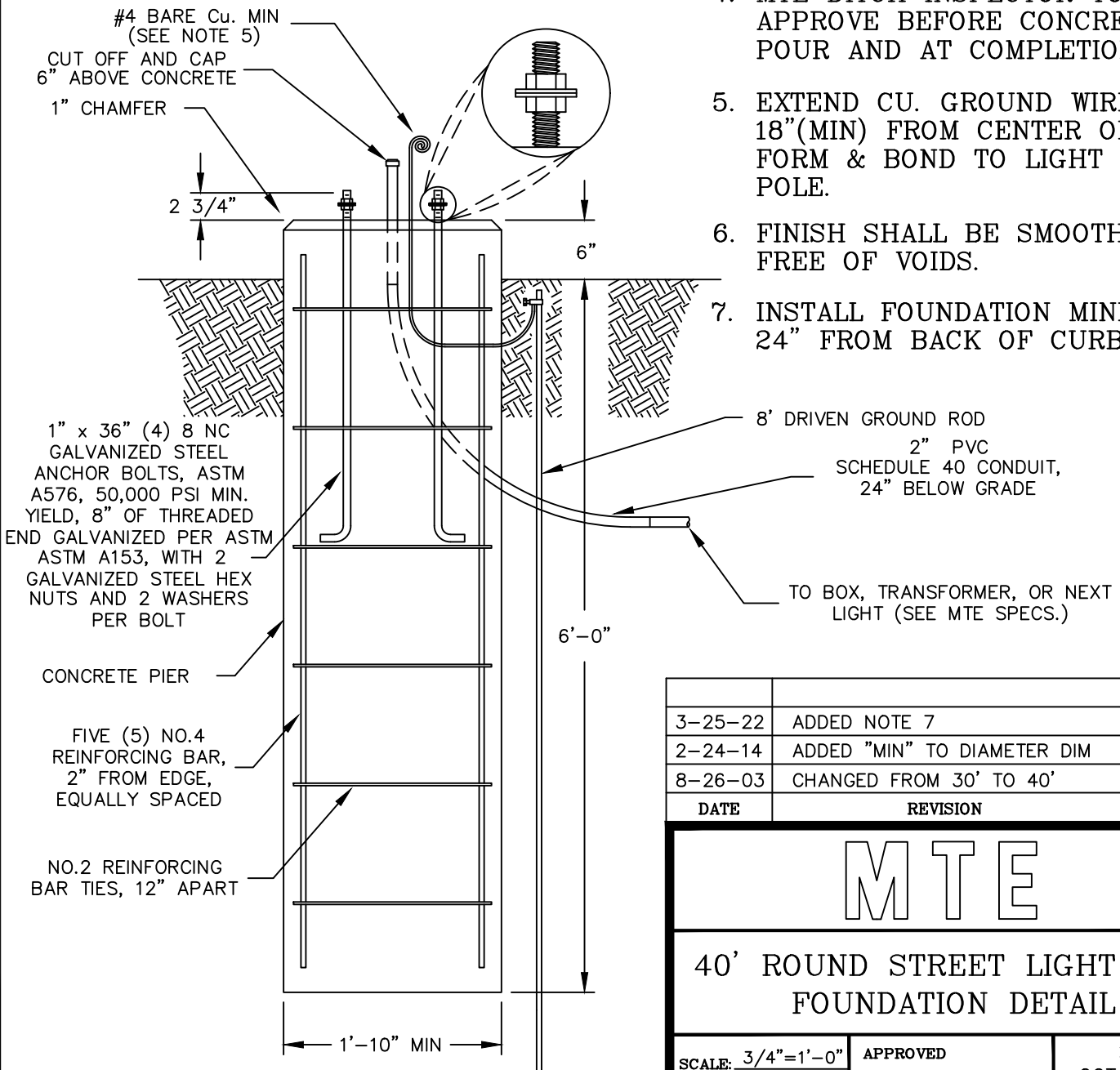
SCALE: 3/4"=1'-0"	APPROVED	DATE
PREPARED BY: SLG	DRAWING NO.	AUG. 2, 1995
DRAWN BY: PHIL D.	SLF-7	SHEET 1
CHECKED BY:		OF 1 SHEETS

NOTES:

1. DEVELOPER SHALL CHECK WITH MTE REGARDING CONDUIT SIZE, TRANSFORMER LOCATIONS, AND POSSIBLE BOXES REQUIRED.
2. ALL MATERIALS AND LABOR TO BE FURNISHED BY DEVELOPER.
3. ALIGN ANCHOR BOLTS TO BE PARALLEL TO STREET.
4. MTE DITCH INSPECTOR TO APPROVE BEFORE CONCRETE POUR AND AT COMPLETION.
5. EXTEND CU. GROUND WIRE 18" (MIN) FROM CENTER OF FORM & BOND TO LIGHT & POLE.
6. FINISH SHALL BE SMOOTH & FREE OF VOIDS.
7. INSTALL FOUNDATION MINIMUM 24" FROM BACK OF CURB



PLAN VIEW



ELEVATION VIEW

DATE	REVISION	BY
3-25-22	ADDED NOTE 7	KDO
2-24-14	ADDED "MIN" TO DIAMETER DIM	KDO
8-26-03	CHANGED FROM 30' TO 40'	K.KESLER

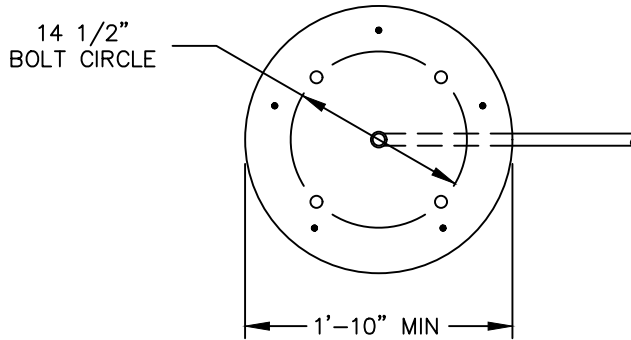
MTE

40' ROUND STREET LIGHT POLE FOUNDATION DETAIL

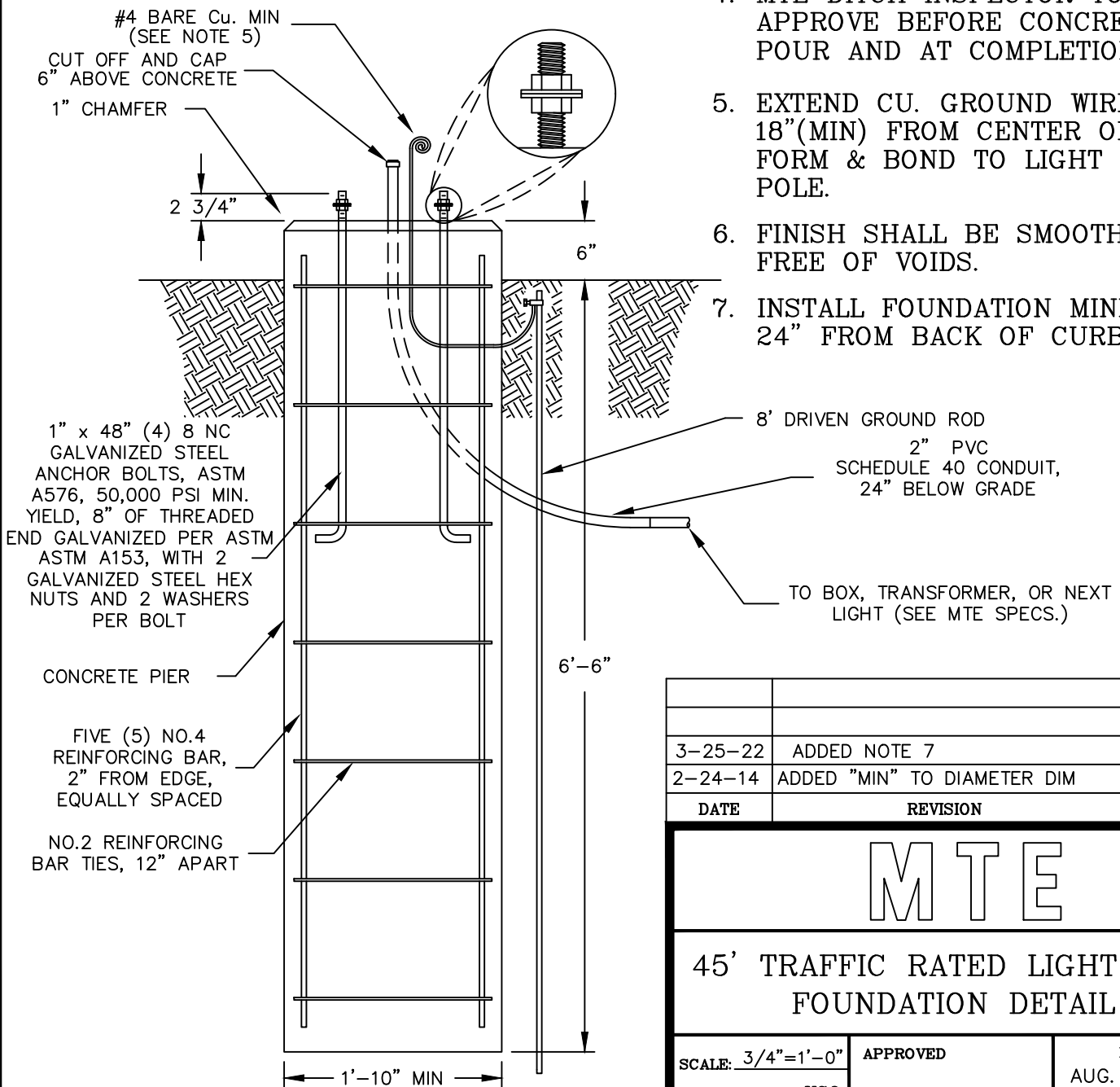
SCALE: 3/4"=1'-0"	APPROVED	DATE
PREPARED BY: CTG	DRAWING NO.	OCT. 5, 1990
DRAWN BY: -RKW-	SLF-9	SHEET 1
CHECKED BY: SG		OF 1 SHEETS

NOTES:

1. DEVELOPER SHALL CHECK WITH MTE REGARDING CONDUIT SIZE, TRANSFORMER LOCATIONS, AND POSSIBLE BOXES REQUIRED.
2. ALL MATERIALS AND LABOR TO BE FURNISHED BY DEVELOPER.
3. ALIGN ANCHOR BOLTS TO BE PARALLEL TO STREET.
4. MTE DITCH INSPECTOR TO APPROVE BEFORE CONCRETE POUR AND AT COMPLETION.
5. EXTEND CU. GROUND WIRE 18"(MIN) FROM CENTER OF FORM & BOND TO LIGHT & POLE.
6. FINISH SHALL BE SMOOTH & FREE OF VOIDS.
7. INSTALL FOUNDATION MINIMUM 24" FROM BACK OF CURB



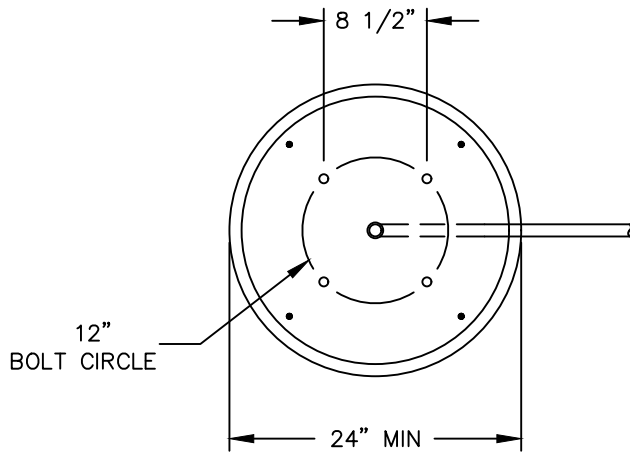
PLAN VIEW



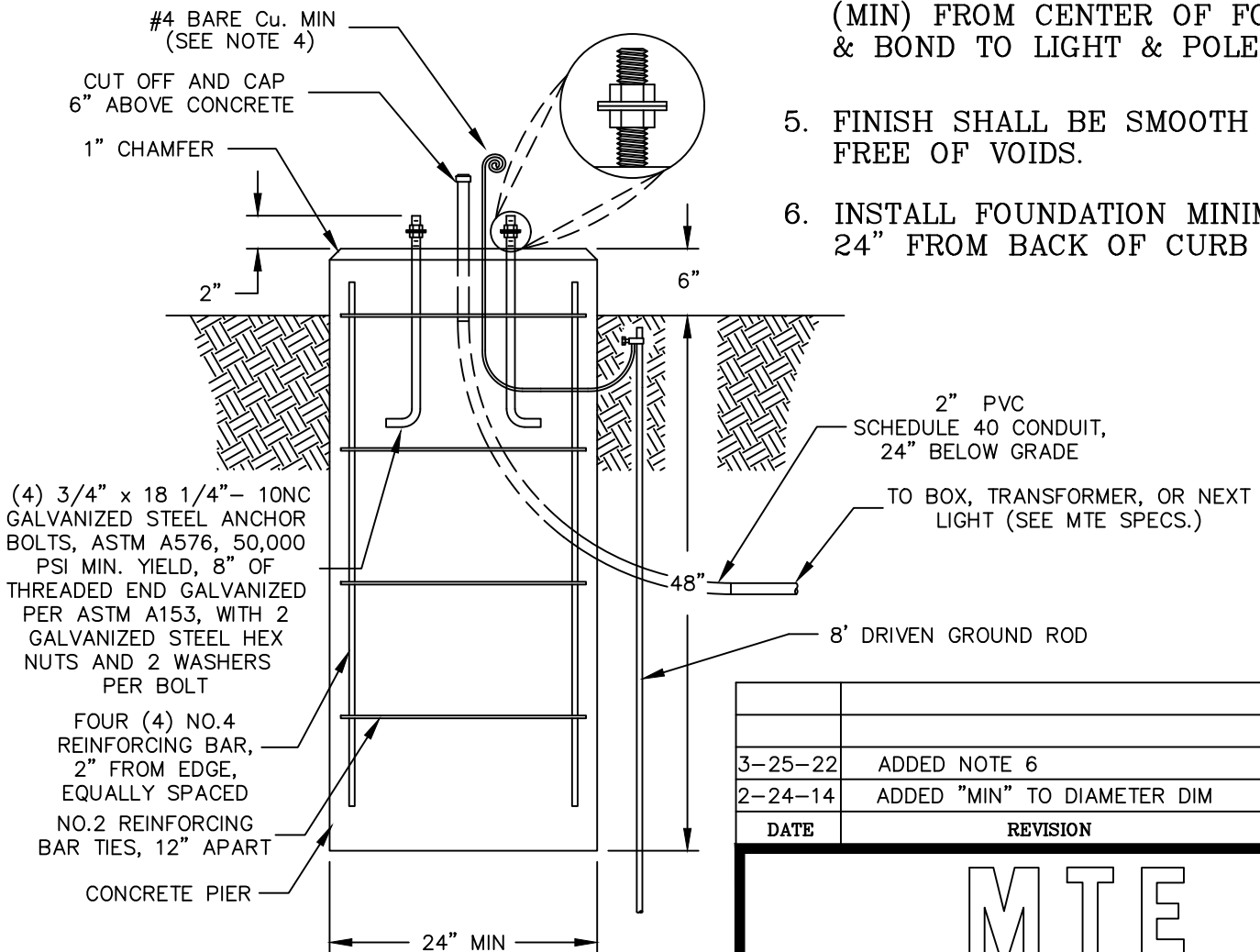
ELEVATION VIEW

DATE	REVISION	BY
3-25-22	ADDED NOTE 7	KDO
2-24-14	ADDED "MIN" TO DIAMETER DIM	KDO

MTE		
45' TRAFFIC RATED LIGHT POLE FOUNDATION DETAIL		
SCALE: 3/4"=1'-0"	APPROVED	DATE
PREPARED BY: KGO	DRAWING NO.	AUG. 22, 2005
DRAWN BY: K.KESLER	SLF-11	SHEET 1
CHECKED BY:		OF 1 SHEETS



PLAN VIEW



ELEVATION VIEW

NOTES:

1. DEVELOPER SHALL CHECK WITH MTE REGARDING TRANSFORMER LOCATION AND POSSIBLE BOX LOCATION.
2. ALL MATERIALS AND LABOR TO BE FURNISHED BY DEVELOPER.
3. MTE DITCH INSPECTOR TO APPROVE BEFORE CONCRETE POUR AND AT COMPLETION
4. EXTEND Cu. GROUND WIRE 18" (MIN) FROM CENTER OF FORM & BOND TO LIGHT & POLE.
5. FINISH SHALL BE SMOOTH & FREE OF VOIDS.
6. INSTALL FOUNDATION MINIMUM 24" FROM BACK OF CURB

DATE	REVISION	BY
3-25-22	ADDED NOTE 6	KDO
2-24-14	ADDED "MIN" TO DIAMETER DIM	KDO

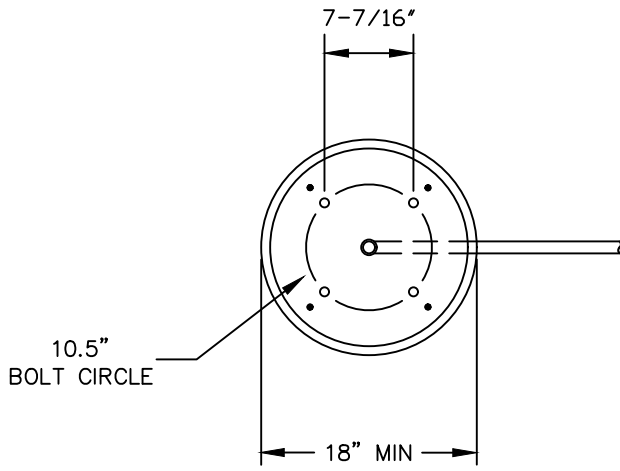
MTE

18' TEARDROP STREET LIGHT POLE FOUNDATION DETAIL

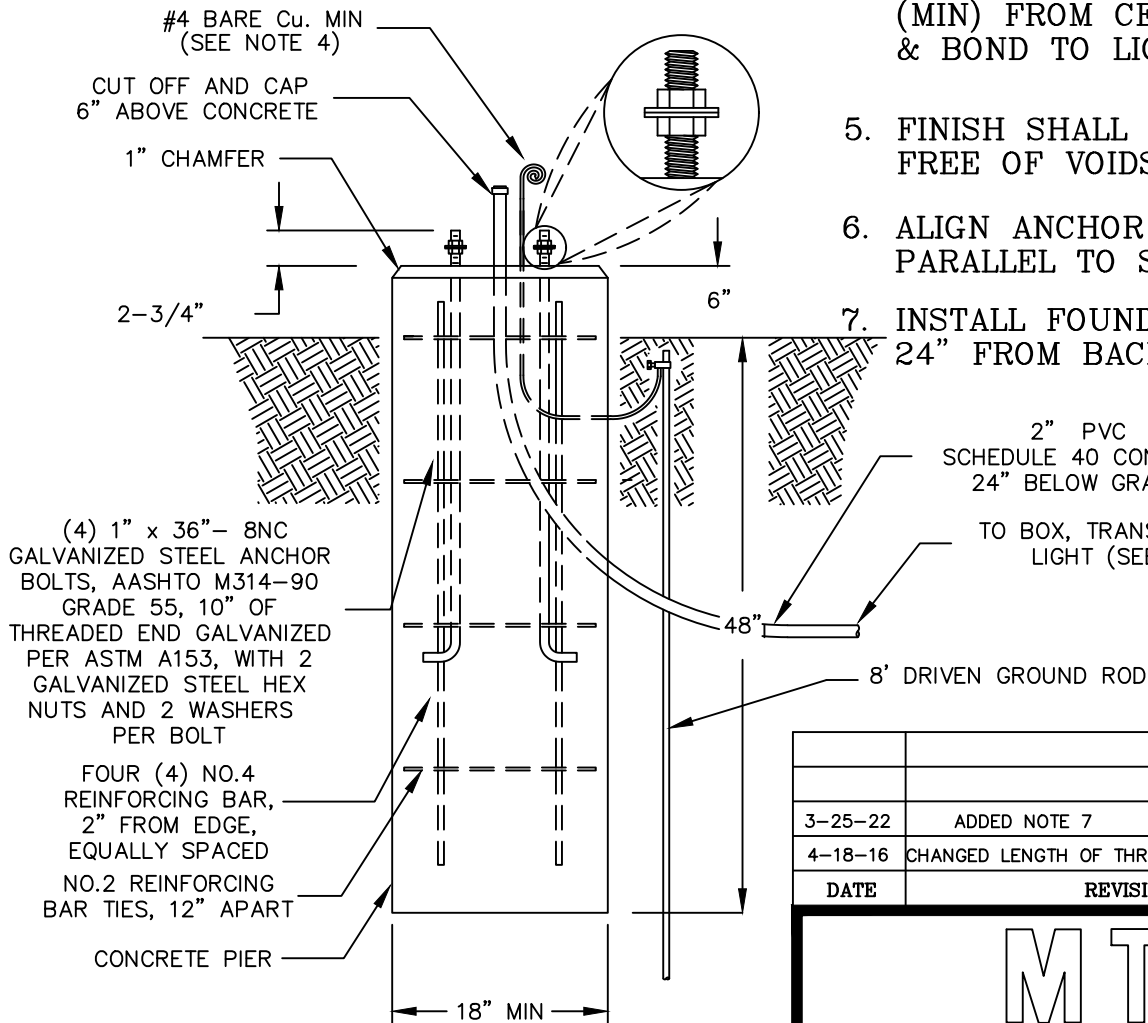
SCALE: 3/4"=1'-0"
 PREPARED BY: KGO
 DRAWN BY: K.KESLER
 CHECKED BY: _____

APPROVED
 DRAWING NO.
 SLF-13

DATE
 AUG. 22, 2005
 SHEET 1
 OF 1 SHEETS



PLAN VIEW



ELEVATION VIEW

NOTES:

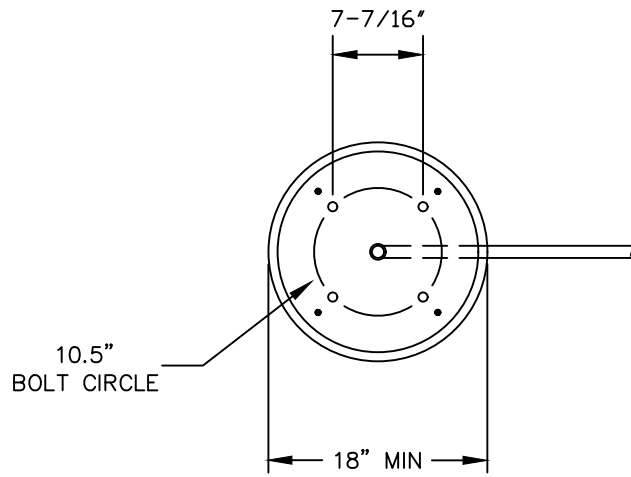
1. DEVELOPER SHALL CHECK WITH MTE REGARDING TRANSFORMER LOCATION AND POSSIBLE BOX LOCATION.
2. ALL MATERIALS AND LABOR TO BE FURNISHED BY DEVELOPER.
3. MTE DITCH INSPECTOR TO APPROVE BEFORE CONCRETE POUR AND AT COMPLETION
4. EXTEND Cu. GROUND WIRE 18" (MIN) FROM CENTER OF FORM & BOND TO LIGHT & POLE.
5. FINISH SHALL BE SMOOTH & FREE OF VOIDS.
6. ALIGN ANCHOR BOLTS TO BE PARALLEL TO STREET.
7. INSTALL FOUNDATION MINIMUM 24" FROM BACK OF CURB

DATE	REVISION	BY
3-25-22	ADDED NOTE 7	KDO
4-18-16	CHANGED LENGTH OF THREADS ABOVE CONCRETE	KDO

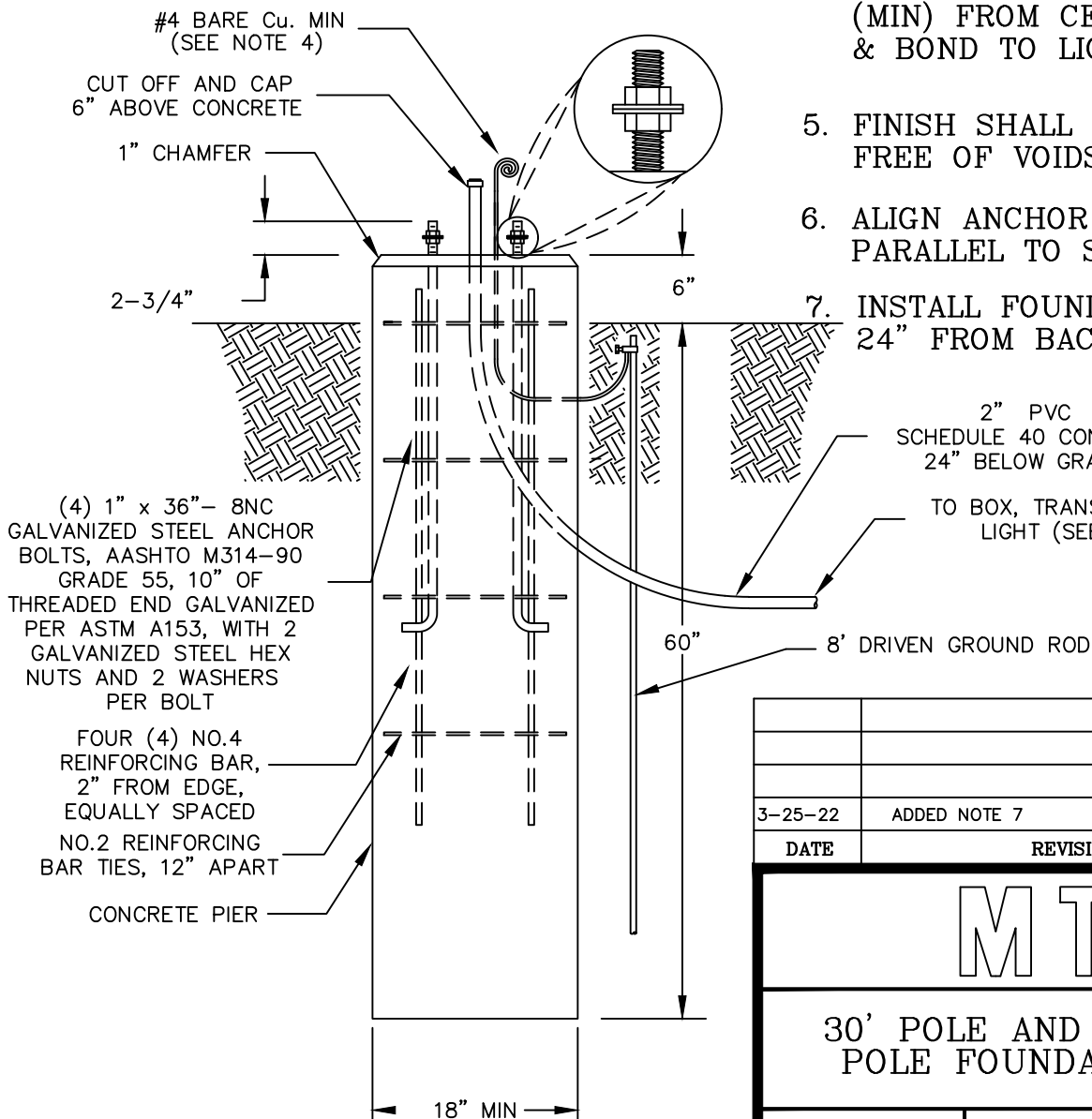
MTE

25' POLE AND 6' MAST ARM
POLE FOUNDATION DETAIL

SCALE: 3/4"=1'-0"	APPROVED	DATE
PREPARED BY: KDO	DRAWING NO.	FEB. 23, 2016
DRAWN BY: KDO	SLF-14	SHEET 1
CHECKED BY: _____		OF 1 SHEETS



PLAN VIEW

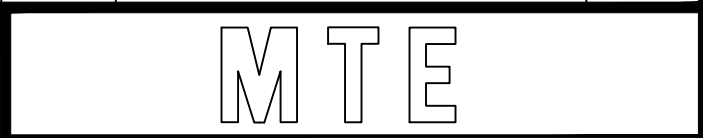


ELEVATION VIEW

NOTES:

1. DEVELOPER SHALL CHECK WITH MTE REGARDING TRANSFORMER LOCATION AND POSSIBLE BOX LOCATION.
2. ALL MATERIALS AND LABOR TO BE FURNISHED BY DEVELOPER.
3. MTE DITCH INSPECTOR TO APPROVE BEFORE CONCRETE POUR AND AT COMPLETION
4. EXTEND Cu. GROUND WIRE 18" (MIN) FROM CENTER OF FORM & BOND TO LIGHT & POLE.
5. FINISH SHALL BE SMOOTH & FREE OF VOIDS.
6. ALIGN ANCHOR BOLTS TO BE PARALLEL TO STREET.
7. INSTALL FOUNDATION MINIMUM 24" FROM BACK OF CURB

3-25-22	ADDED NOTE 7	KDO
DATE	REVISION	BY



30' POLE AND 6' MAST ARM
POLE FOUNDATION DETAIL

SCALE: 3/4"=1'-0"	APPROVED	DATE
PREPARED BY: KDO	DRAWING NO. SLF-15	APR. 20, 2021
DRAWN BY: KDO		SHEET 1
CHECKED BY: _____		OF 1 SHEETS

Distributors

Stuart C. Irby Company
PO Box 110628
Nashville, TN 37222
Phone: 833-2484
Fax: 834-9255

Border States
656 Wedgewood Ave
Nashville, TN 37203
Phone: 255-4161
Fax: 242-5683

WESCO
PO Box 22769
Nashville, TN 37202
Phone: 242-7301
Fax: 242-1323

Hermitage Lighting
531 Lafayette Street
Nashville, TN 37203
Phone: 843-3327
Fax: 843-3352
Email: jzigelsky@hermitagelighting.com

Braid Electric
299 Cowan Street
Nashville, TN 37213
Phone: 242-6511
Fax: 254-2350
Email: popek@braidelectric.com

H&H Supply
85 Athens Dr
Mt Juliet, TN 37122
Phone: 615-758-9411
Fax: 615-773-7892
Cell: 615-573-1516
Email: DustinH@HandHSupply.net

Product Line

American Electric Lighting
Cooper Lighting
Holophane Lighting
Hapco Poles

American Electric Lighting
Cooper Lighting
Hapco Poles
Holophane Lighting
GE

Cooper Lighting
Holophane Lighting
Hapco Pôles
American Electric Lighting

Hapco Poles
Holophane Lighting

Holophane Lighting

Hapco Poles
Cooper Lighting

Distributors

Mayer Electric Supply
2924 Sidco Drive
Nashville, TN 37204-3783
Phone: 615-242-1100
Cell: 615-351-9209
Fax: 615-242-9340
Email: RGoolsby@mayerelectric.com

Irby Electric
2500 Cruzen Street
Nashville TN, 37211
Phone: 629-221-5252

Utiltiy Sales Agency
1612 Liberty Blvd STE 216
Brentwood, TN 37027
Phone: 615-324-9351

Product Line

Cooper Lighting
Holophane Lighting
Hapco Poles

EOI

EOI